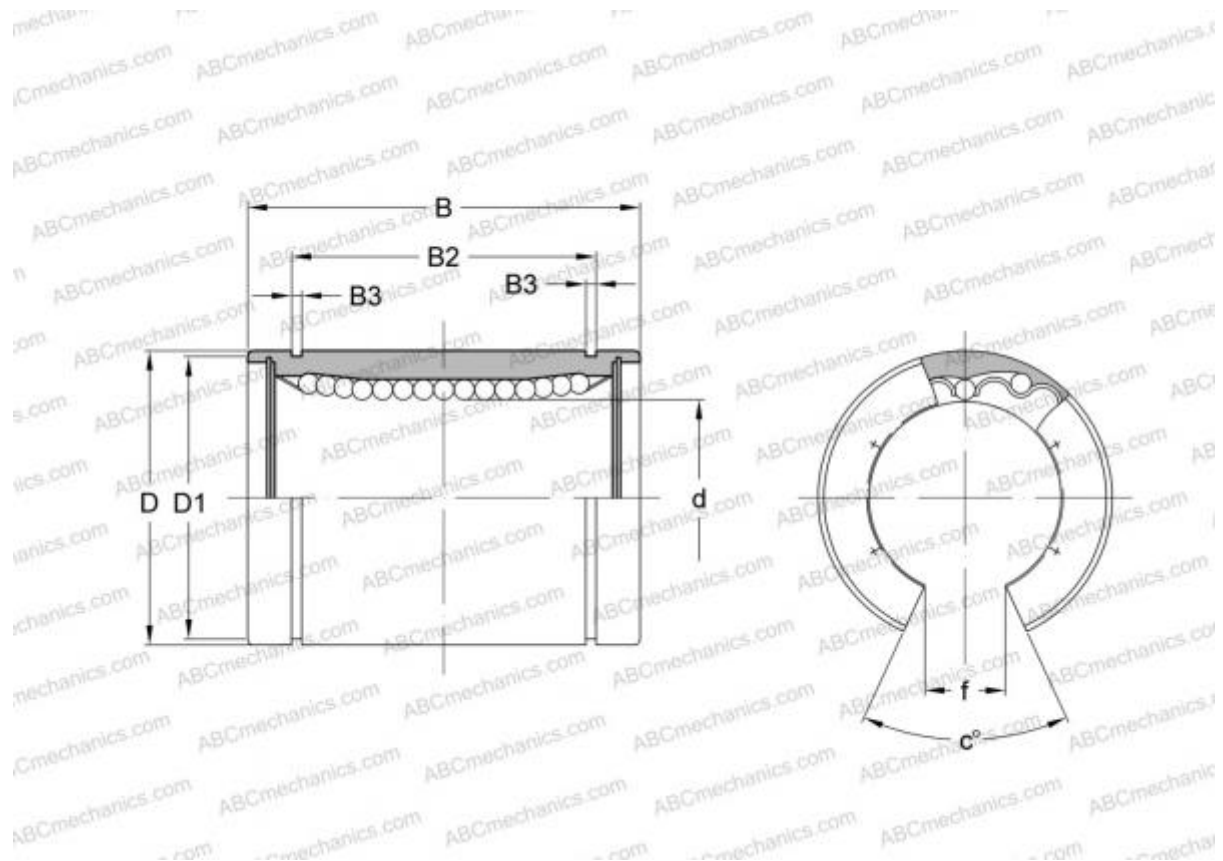


LMB 162536 N OP IKO

Linear bushing

TYPE: Shaft guidance systems, Linear bushing, Standard, Open type for support rail, Type LMB..(N) OP, inch



Technical specification

DIMENSIONS, MM

d	25,400
D	39,688
B	57,150
f	11,800
c	50,000

WEIGHT, KG 0,170

MANUFACTURER [IKO](#)

INTERCHANGE

ABC	LMB 162536 N OP
HEIM	OPN-1000

CALCULATION DATA

Basic dynamic load rating min	0,923 kN
Basic dynamic load rating max	0,978 kN

CALCULATION DATA

Basic static load rating min	1,780 kN
Basic static load rating max	2,280 kN