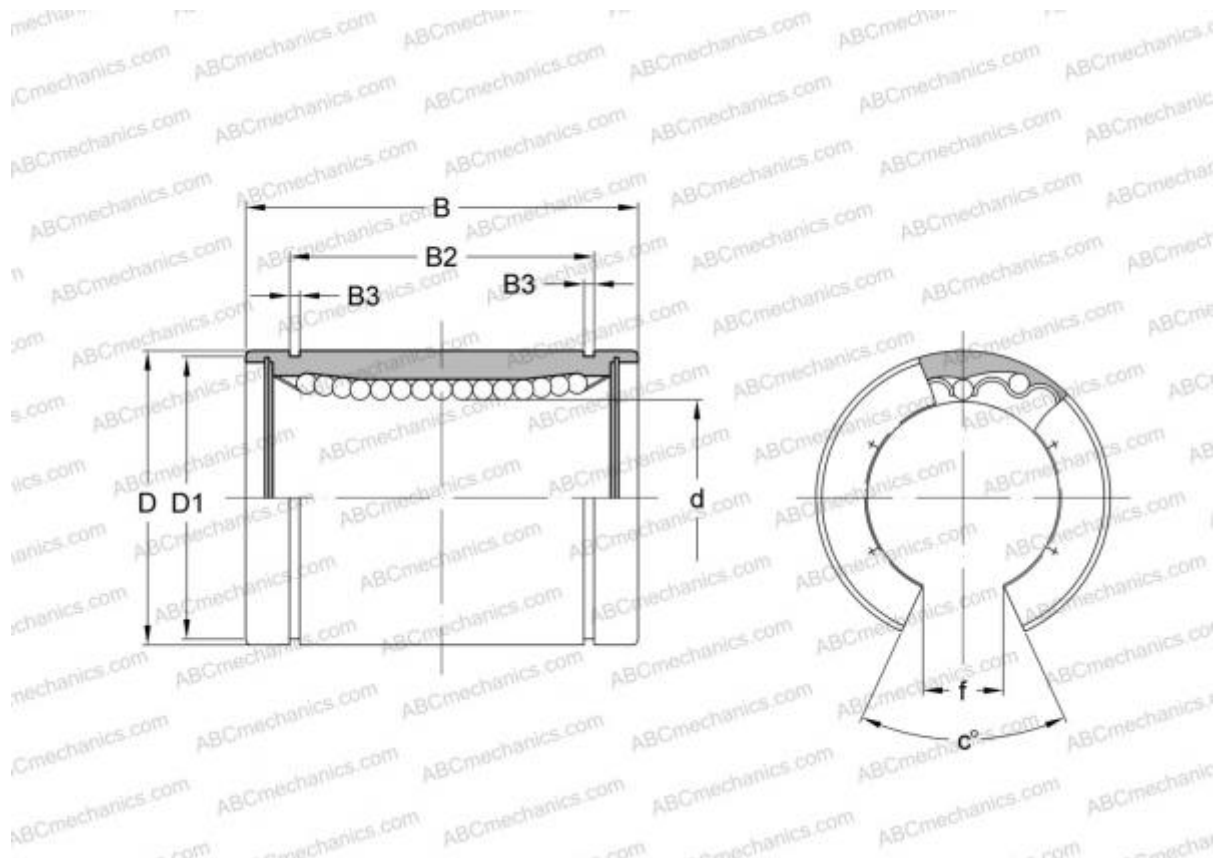


OPN-1000 HEIM

Linear bushing

TYPE: Shaft guidance systems, Linear bushing, Standard, Open type for support rail, Type LMB..(N) OP, inch



Technical specification

DIMENSIONS, MM

d	25,400
D	39,688
B	57,150
f	11,800
c	50,000

WEIGHT, KG 0,170

MANUFACTURER [HEIM](#)

INTERCHANGE

ABC	LMB 162536 N OP
IKO	LMB 162536 N OP