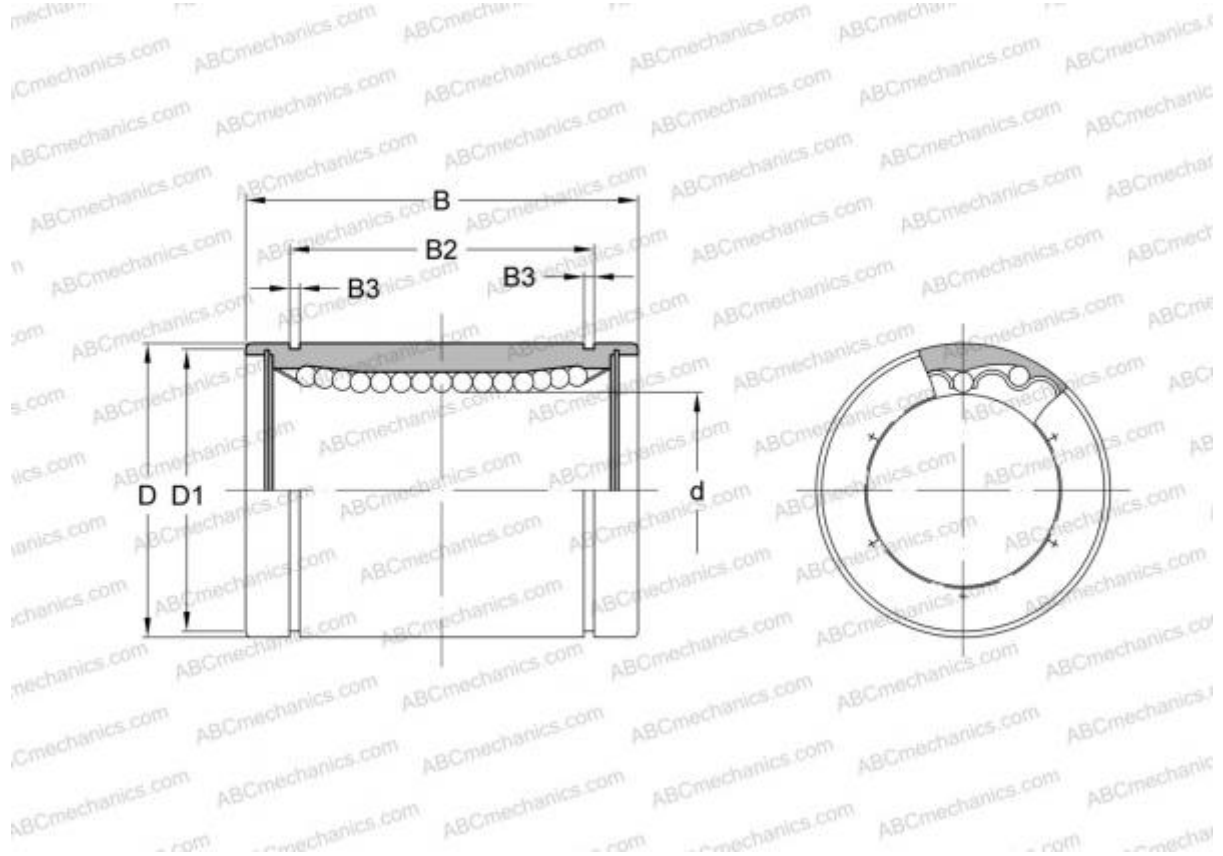


LMS 3 F IKO

Linear bushing

TYPE: Shaft guidance systems, Linear bushing, Standard, Close type, Type LMS, LMSL, miniature (IKO)



Technical specification

DIMENSIONS, MM

d	3,000
D	7,000
B	10,000

WEIGHT, KG 0,002

MANUFACTURER [IKO](#)

CALCULATION DATA

Basic dynamic load rating min	0,018 kN
Basic dynamic load rating max	0,021 kN
Basic static load rating min	0,039 kN
Basic static load rating max	0,056 kN