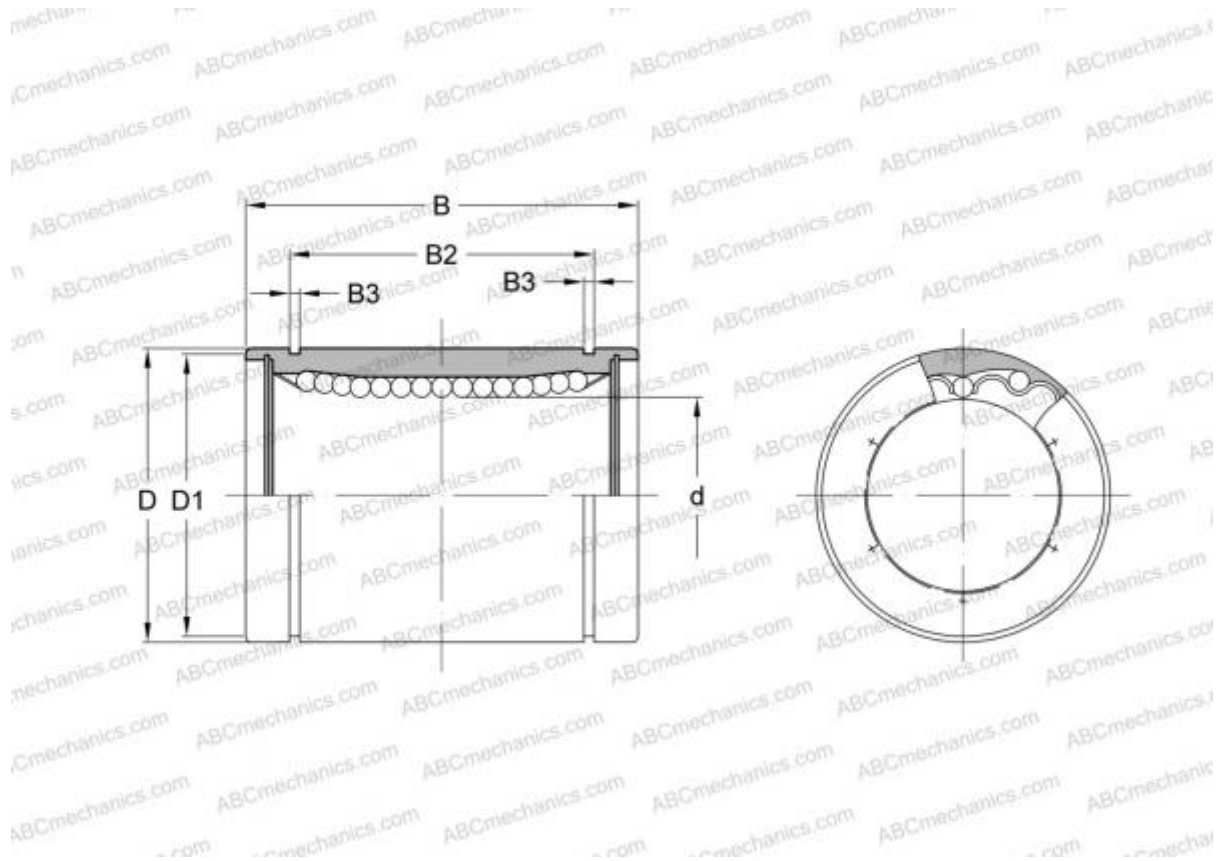


LMS 5 IKO

Linear bushing

TYPE: Shaft guidance systems, Linear bushing, Standard, Close type, Type LMS, LMSL, miniature (IKO)



Technical specification

DIMENSIONS, MM

| | |
|---|--------|
| d | 5,000 |
| D | 10,000 |
| B | 15,000 |

WEIGHT, KG 0,004

MANUFACTURER [IKO](#)

CALCULATION DATA

| | |
|-------------------------------|----------|
| Basic dynamic load rating min | 0,051 kN |
| Basic dynamic load rating max | 0,059 kN |
| Basic static load rating min | 0,108 kN |
| Basic static load rating max | 0,152 kN |