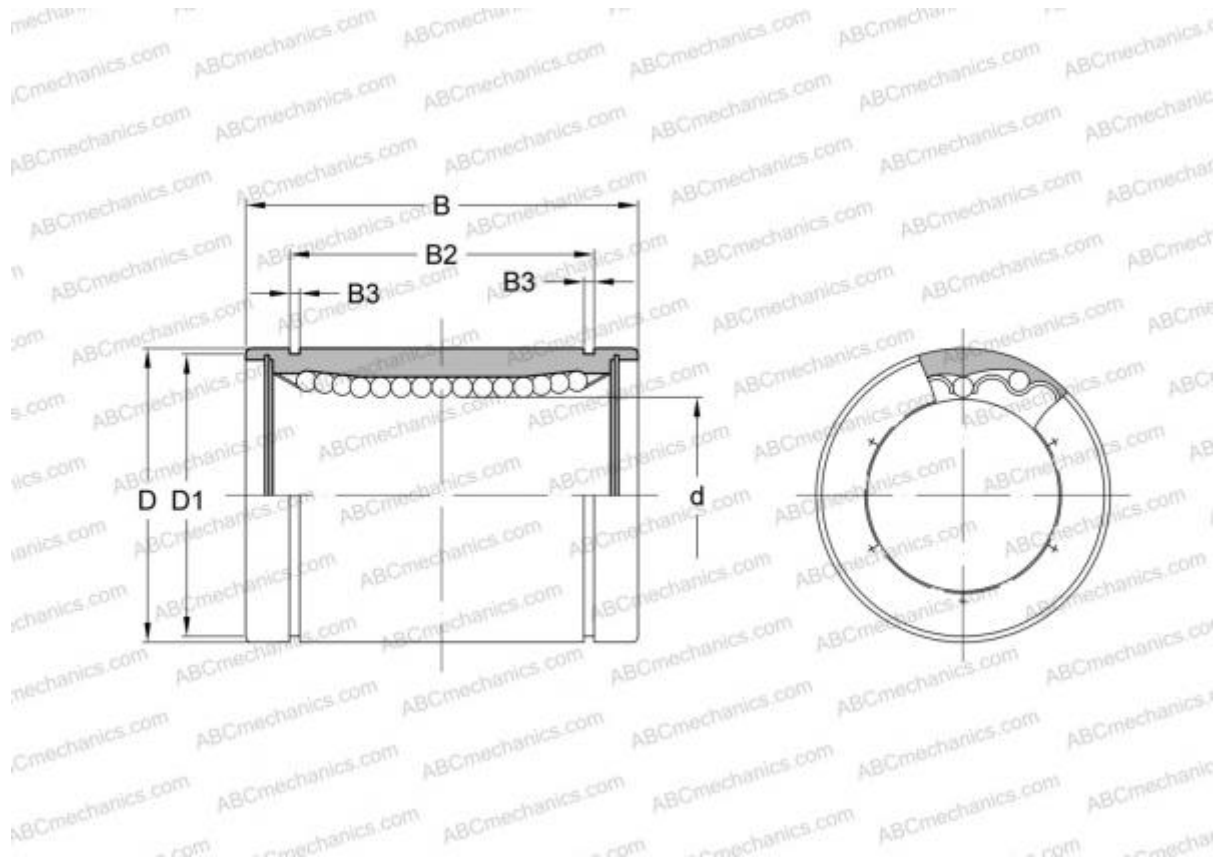


## LMS 5 F IKO

Linear bushing

TYPE: Shaft guidance systems, Linear bushing, Standard, Close type, Type LMS, LMSL, miniature (IKO)



### Technical specification

#### DIMENSIONS, MM

d	5,000
D	10,000
B	15,000

**WEIGHT, KG** 0,004

**MANUFACTURER** [IKO](#)

#### CALCULATION DATA

Basic dynamic load rating min	0,051 kN
Basic dynamic load rating max	0,059 kN
Basic static load rating min	0,108 kN
Basic static load rating max	0,152 kN