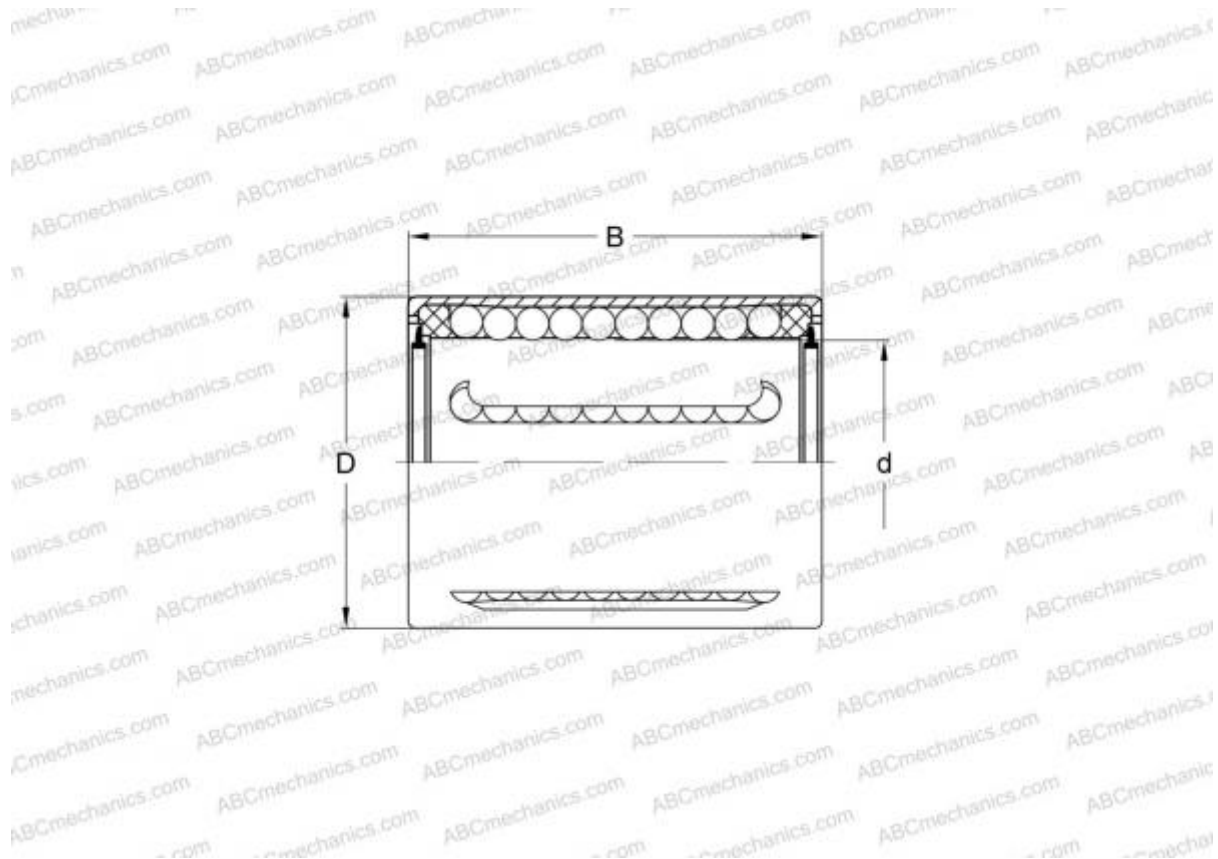


## KH06-PP ABC

Linear bushing

TYPE: Shaft guidance systems, Linear bushing, Compact type, Type KH..PP, LK..UU, sealed on both sides



### Technical specification

#### DIMENSIONS, MM

|   |        |
|---|--------|
| d | 6,000  |
| D | 12,000 |
| B | 22,000 |

**WEIGHT, KG** 0,007

**MANUFACTURER** [ABC](#)

#### INTERCHANGE

|     |                         |
|-----|-------------------------|
| INA | <a href="#">KH06-PP</a> |
|-----|-------------------------|