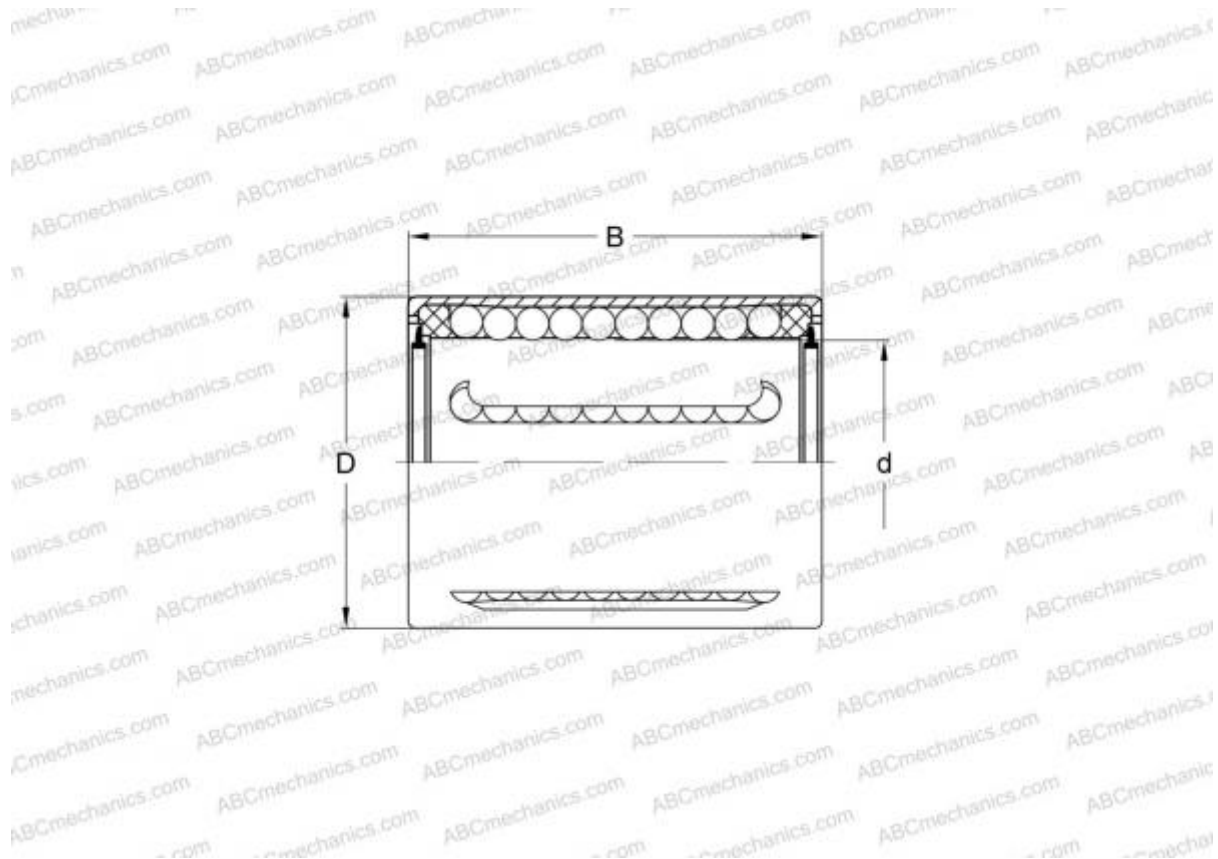


KH10-PP INA

Linear bushing

TYPE: Shaft guidance systems, Linear bushing, Compact type, Type KH..PP, LK..UU, sealed on both sides



Technical specification

DIMENSIONS, MM

d	10,000
D	17,000
B	26,000

WEIGHT, KG 0,015

MANUFACTURER [INA](#)

INTERCHANGE

ABC	KH10-PP
-----	-------------------------