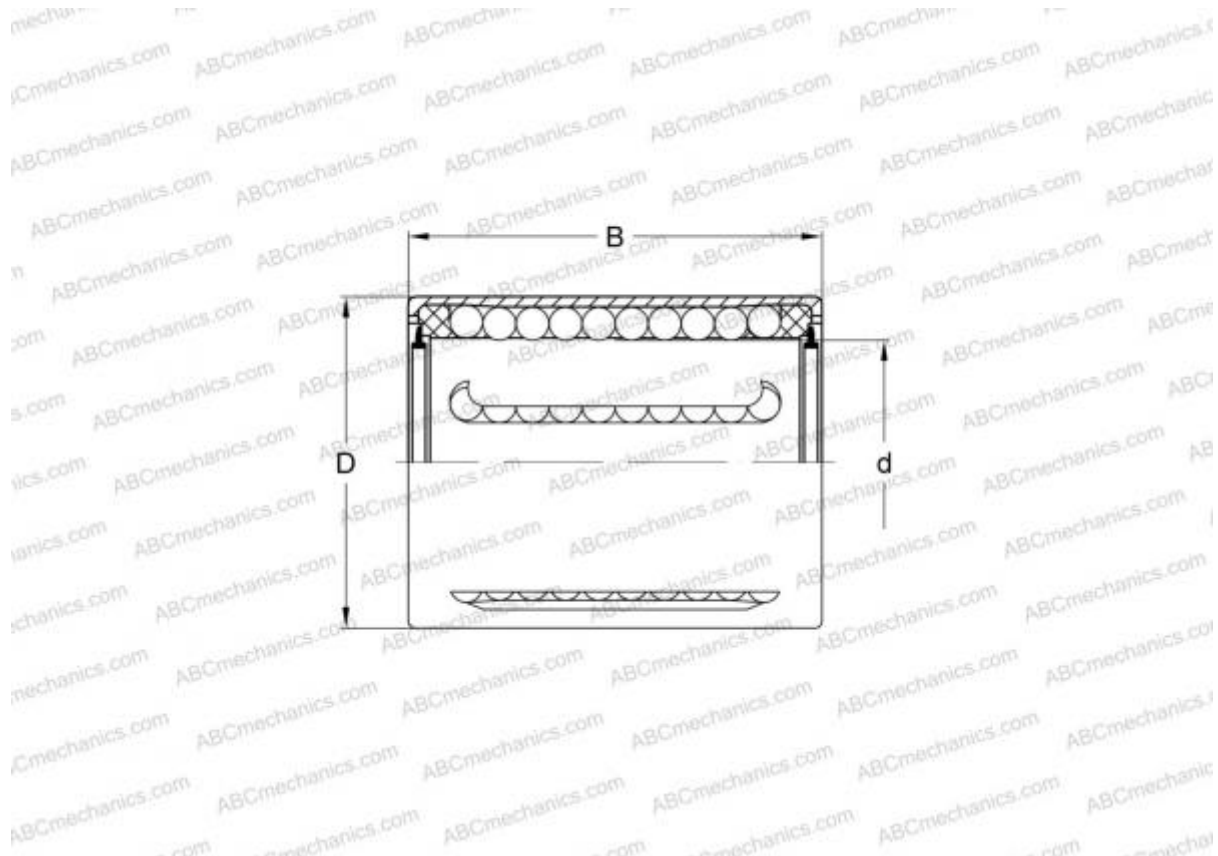


## KH12-PP INA

Linear bushing

TYPE: Shaft guidance systems, Linear bushing, Compact type, Type KH..PP, LK..UU, sealed on both sides



### Technical specification

#### DIMENSIONS, MM

d	12,000
D	19,000
B	28,000

**WEIGHT, KG** 0,019

**MANUFACTURER** [INA](#)

#### INTERCHANGE

ABC	<a href="#">KH12-PP</a>
-----	-------------------------