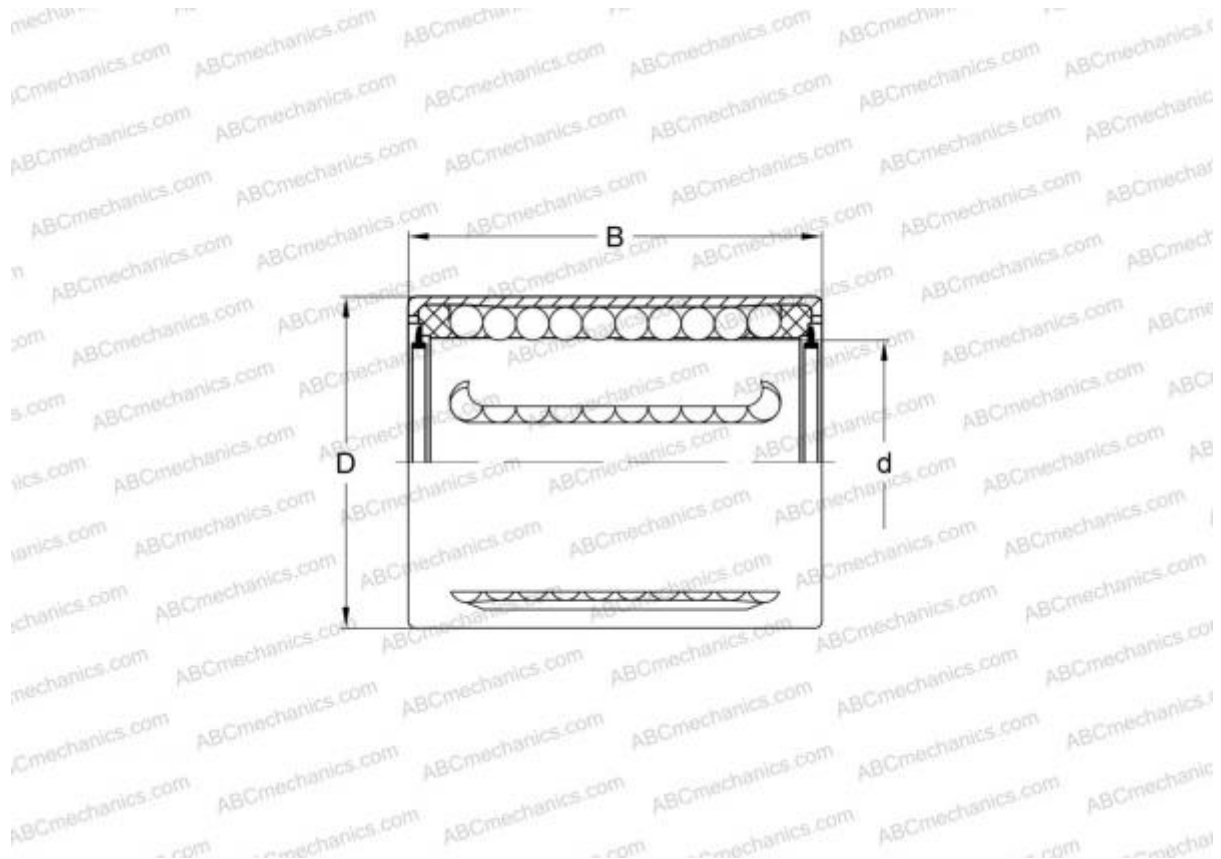


KH14-PP ABC

Linear bushing

TYPE: Shaft guidance systems, Linear bushing, Compact type, Type KH..PP, LK..UU, sealed on both sides



Technical specification

DIMENSIONS, MM

| | |
|---|--------|
| d | 14,000 |
| D | 21,000 |
| B | 28,000 |

WEIGHT, KG 0,021

MANUFACTURER [ABC](#)

INTERCHANGE

| | |
|-----|-------------------------|
| INA | KH14-PP |
|-----|-------------------------|