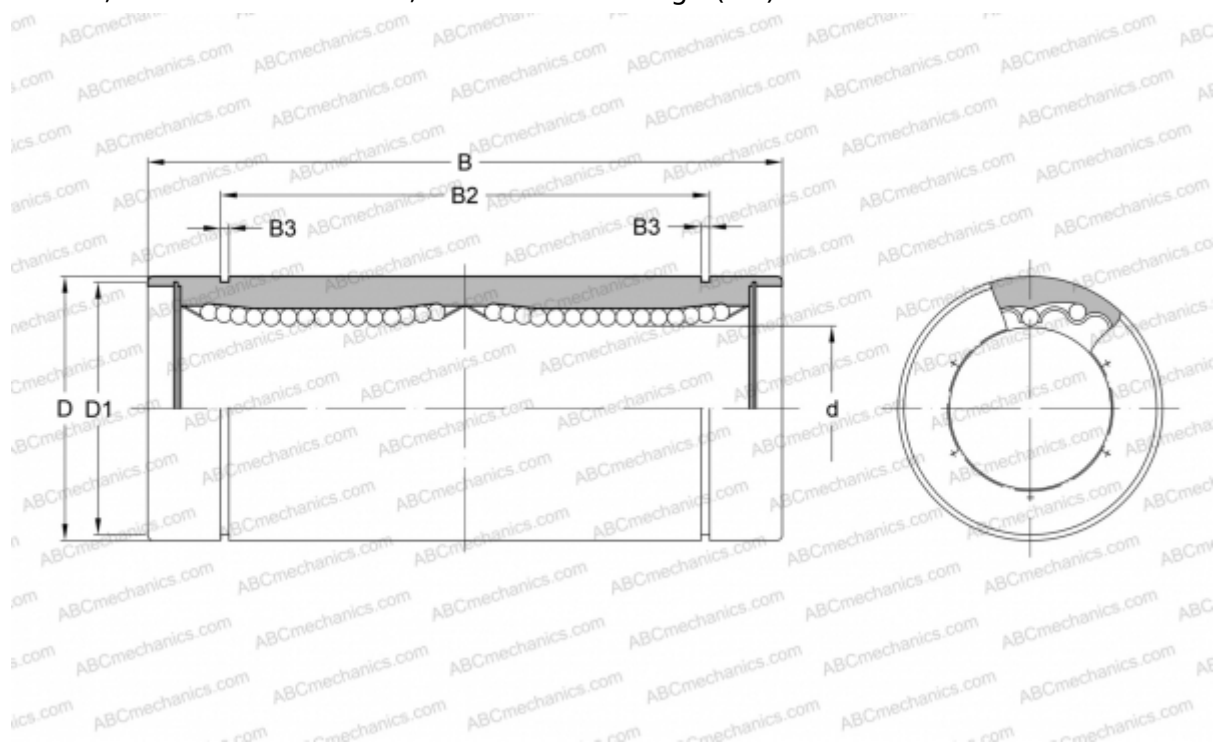


SMS 3W NB

Linear bushing

TYPE: Shaft guidance systems, Linear bushing, Standard, Close type, double length, Type SM..W, Asian standard, Corrosion resistance, Stainless steel cage (NB)



Technical specification

DIMENSIONS, MM

d	3,000
D	7,000
B	19,000

WEIGHT, KG 0,003

MANUFACTURER [NB](#)