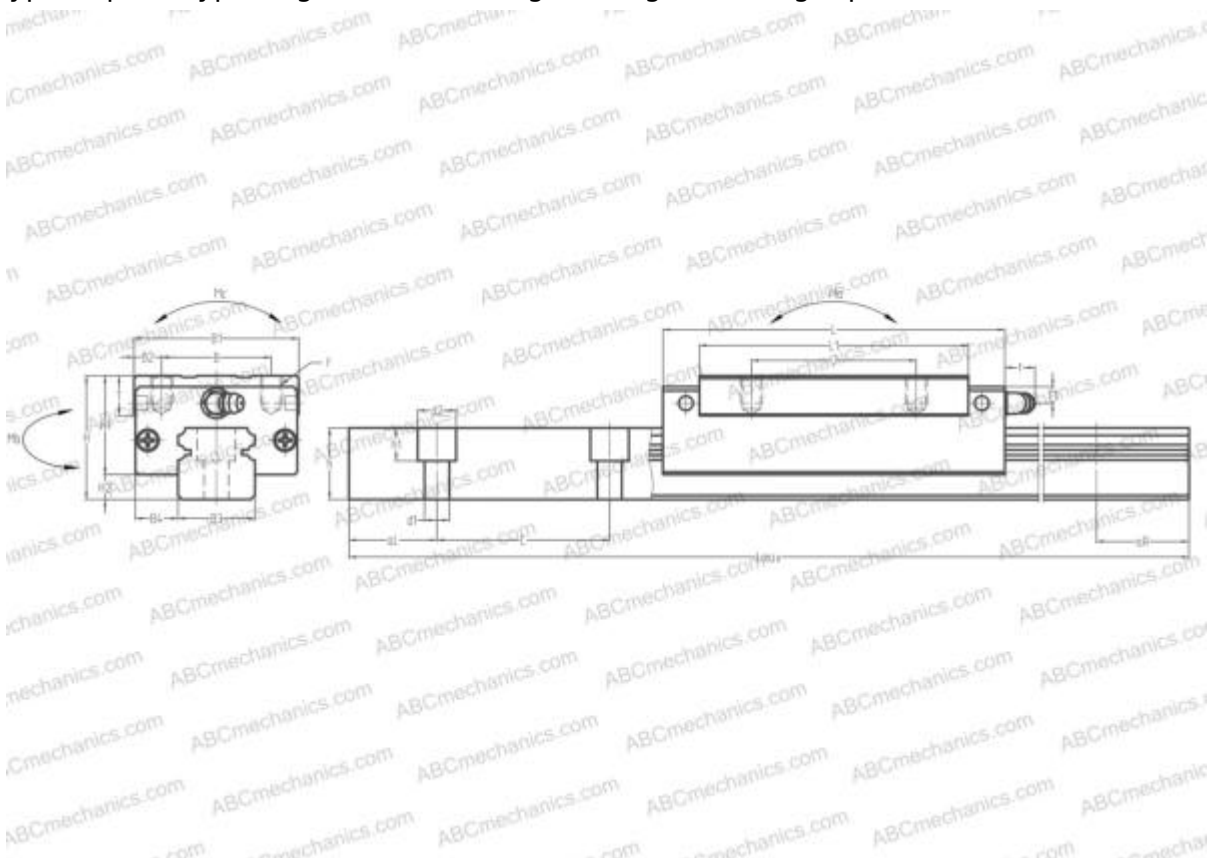


## LH20BN NSK

Linear guides

TYPE: Monorail guidance systems, Recirculating balls, High vertical load carrying capacity type, Self-aligning type, Square type, High, Ball slide length - long, Mounting tap



### Technical specification

#### DIMENSIONS, MM

B1	44,000
H	30,000
L	91,800
B	32,000
J	50,000
L1	72,000
B2	6,000
B3	20,000
B4	12,000
H1	25,000
H2	5,000
T	12,000
T1	5,000
f	11,000
C	60,000

#### DIMENSIONS, MM

d1	6,000
d2	9,500
h	8,000
h1	8,500
L max	3960,000
aL	20,000
aR	20,000
F	M5x0.8x6

#### WEIGHT

Slide weight	0,480
Rail weight	2,600

#### MANUFACTURER

[NSK](#)

#### INTERCHANGE

ABC	<a href="#">LH20BN</a>
THK	<a href="#">HSR20LR</a>

## INTERCHANGE

IKO	<a href="#">LWHS20</a>
HIWIN	<a href="#">HGH20HA</a>
STAR	<a href="#">1623-8</a>
Rockford Linear Motion	<a href="#">RPG20HRL</a>
THOMSON	<a href="#">AG 20DE(HE)</a>
SCHNEEBERGER	<a href="#">BMD 20</a>

## CALCULATION DATA

Basic dynamic load rating, C	18,200 kN
Basic static load rating, Co	39,500 kN
Static permissible moment, Ma	0,345 kN-m
Static permissible moment, Mb	0,345 kN-m
Static permissible moment, Mc	0,305 kN-m

## INCLUDED PRODUCTS

LAH20BN