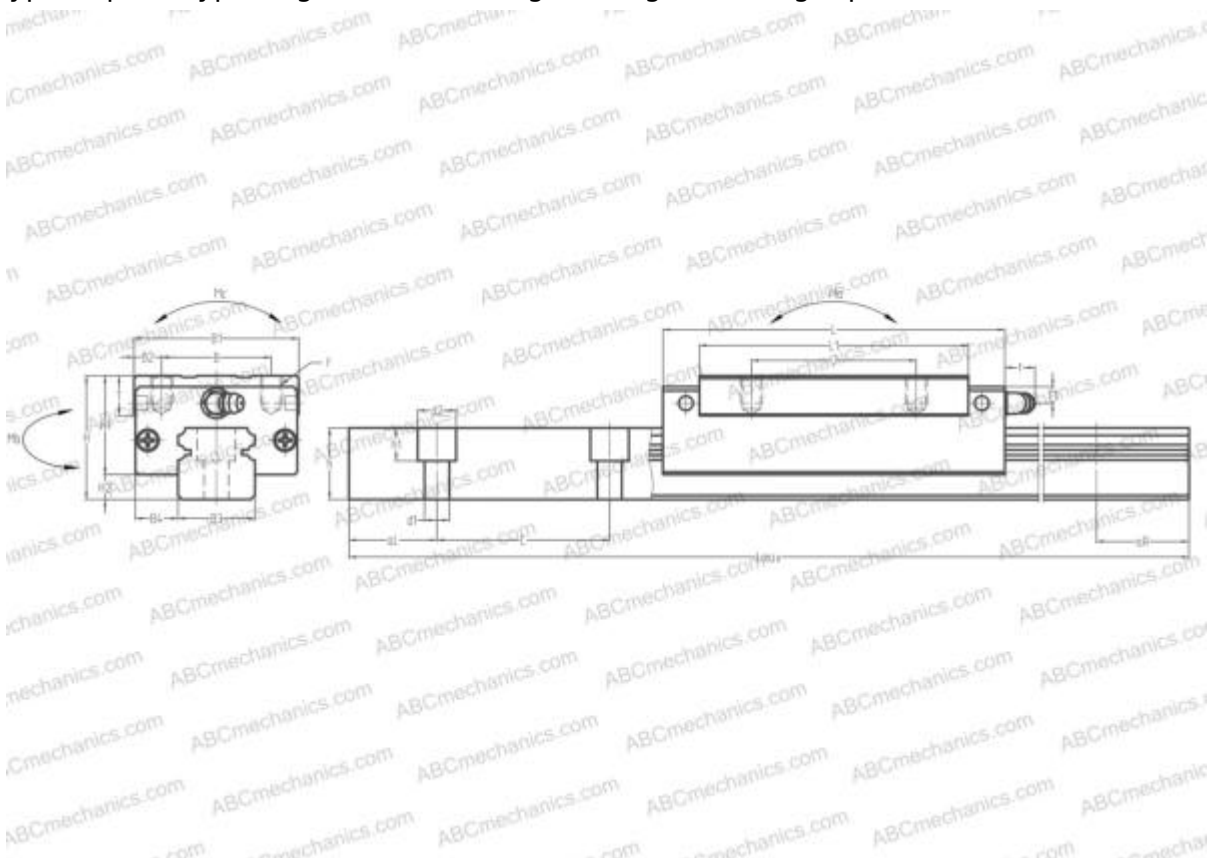


HSR20LR THK

Linear guides

TYPE: Monorail guidance systems, Recirculating balls, High vertical load carrying capacity type, Self-aligning type, Square type, High, Ball slide length - long, Mounting tap



Technical specification

DIMENSIONS, MM

B1	44,000
H	30,000
L	91,800
B	32,000
J	50,000
L1	72,000
B2	6,000
B3	20,000
B4	12,000
H1	25,000
H2	5,000
T	12,000
T1	5,000
f	11,000
C	60,000

DIMENSIONS, MM

d1	6,000
d2	9,500
h	8,000
h1	8,500
L max	3960,000
aL	20,000
aR	20,000
F	M5x0.8x6

WEIGHT

Slide weight	0,480
Rail weight	2,600

MANUFACTURER

[THK](#)

INTERCHANGE

ABC	LH20BN
NSK	LH20BN

INTERCHANGE

IKO	LWMSG20
HIWIN	HGH20HA
STAR	1623-8
Rockford Linear Motion	RPG20HRL
THOMSON	AG 20DE(HE)
SCHNEEBERGER	BMD 20