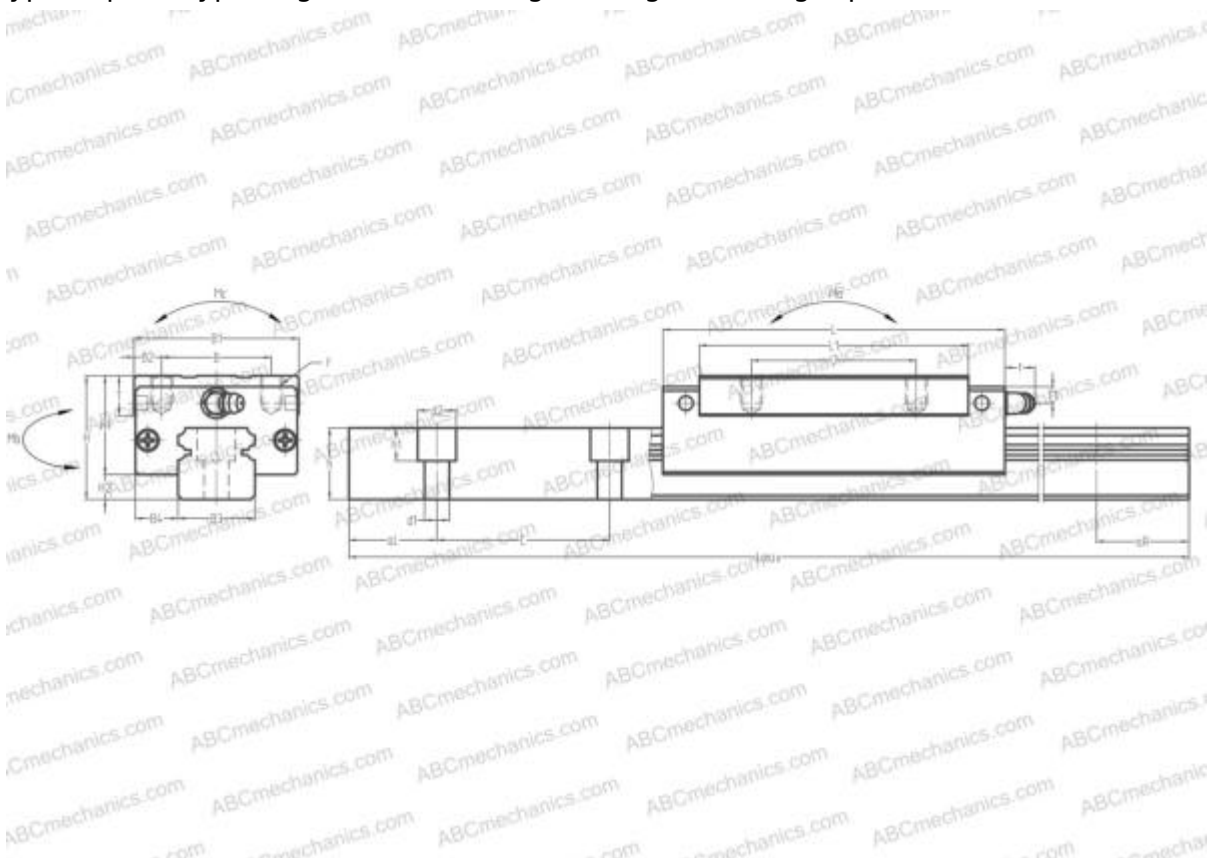


LH25BN ABC

Linear guides

TYPE: Monorail guidance systems, Recirculating balls, High vertical load carrying capacity type, Self-aligning type, Square type, High, Ball slide length - long, Mounting tap



Technical specification

DIMENSIONS, MM

B1	48,000
H	40,000
L	107,000
B	35,000
J	50,000
L1	86,000
B2	6,500
B3	23,000
B4	12,500
H1	33,000
H2	7,000
T	12,000
T1	10,000
f	11,000
C	60,000

DIMENSIONS, MM

d1	7,000
d2	11,000
h	22,000
h1	9,000
L max	3960,000
aL	20,000
aR	20,000
F	M6x1x9

WEIGHT

Slide weight	0,820
Rail weight	3,600

MANUFACTURER

[ABC](#)

INTERCHANGE

NSK	LH25BN
THK	HSR25LR

INTERCHANGE

IKO	LWHDG25
HIWIN	HGH25HA
STAR	1624-2
Rockford Linear Motion	RPG25HRL
INA	KUV25-B-HL
SCHNEEBERGER	BMD 25