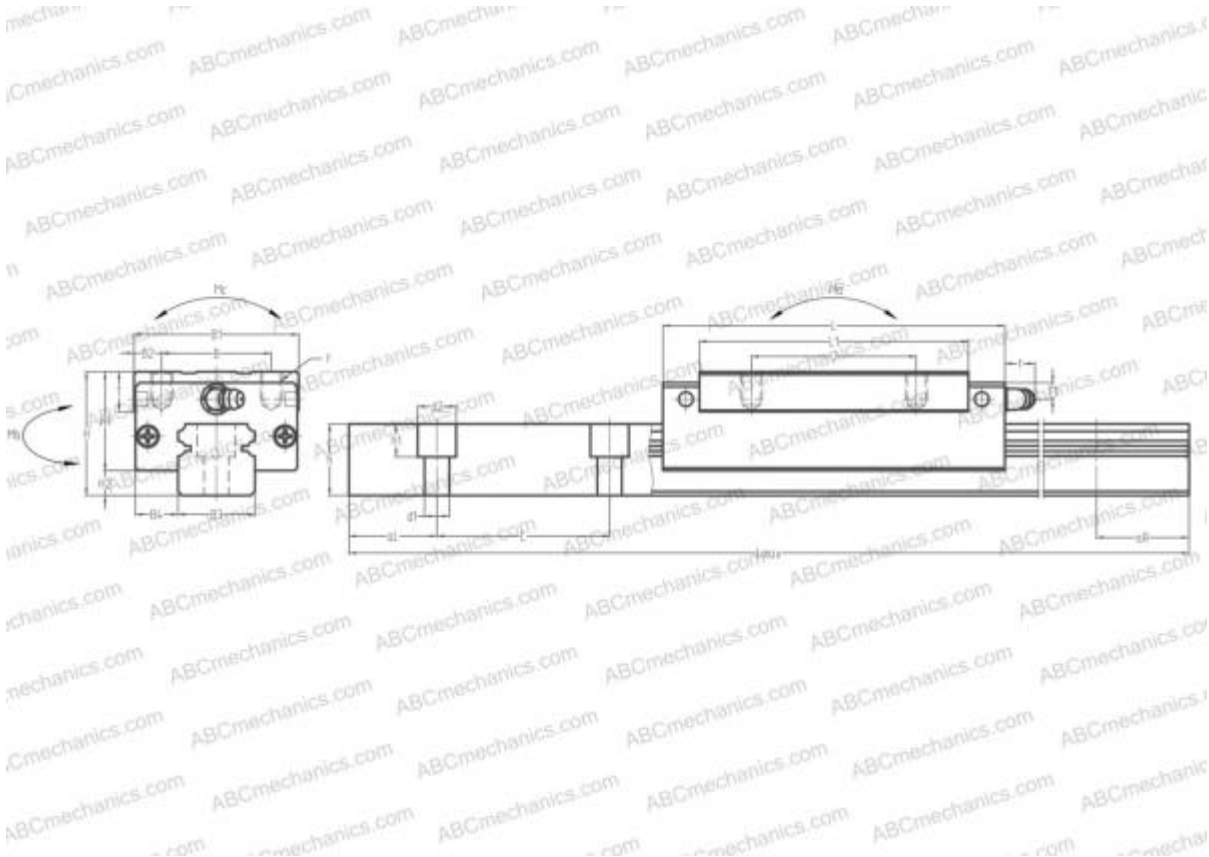


AG 30HE THOMSON

Linear guides

TYPE: Monorail guidance systems, Recirculating balls, High vertical load carrying capacity type, Self-aligning type, Square type, High, Ball slide length - long, Mounting tap



Technical specification

DIMENSIONS, MM

B1	60,000
H	45,000
L	124,600
B	40,000
J	60,000
L1	98,000
B2	10,000
B3	28,000
B4	16,000
H1	36,000
H2	9,000
T	14,000
T1	10,000
f	11,000
C	80,000

DIMENSIONS, MM

d1	9,000
d2	14,000
h	26,000
h1	12,000
L max	4000,000
aL	20,000
aR	20,000
F	M8x1.25x10

WEIGHT

Slide weight	1,300
Rail weight	5,200

MANUFACTURER

[THOMSON](#)

INTERCHANGE

ABC	LH30BN
NSK	LH30BN

INTERCHANGE

THK	HSR30LR
IKO	LWHDG30
HIWIN	HGH30HA
STAR	1624-7
Rockford Linear Motion	RPG30HRL
INA	KUV30-B-HL
SCHNEEBERGER	BMD 30