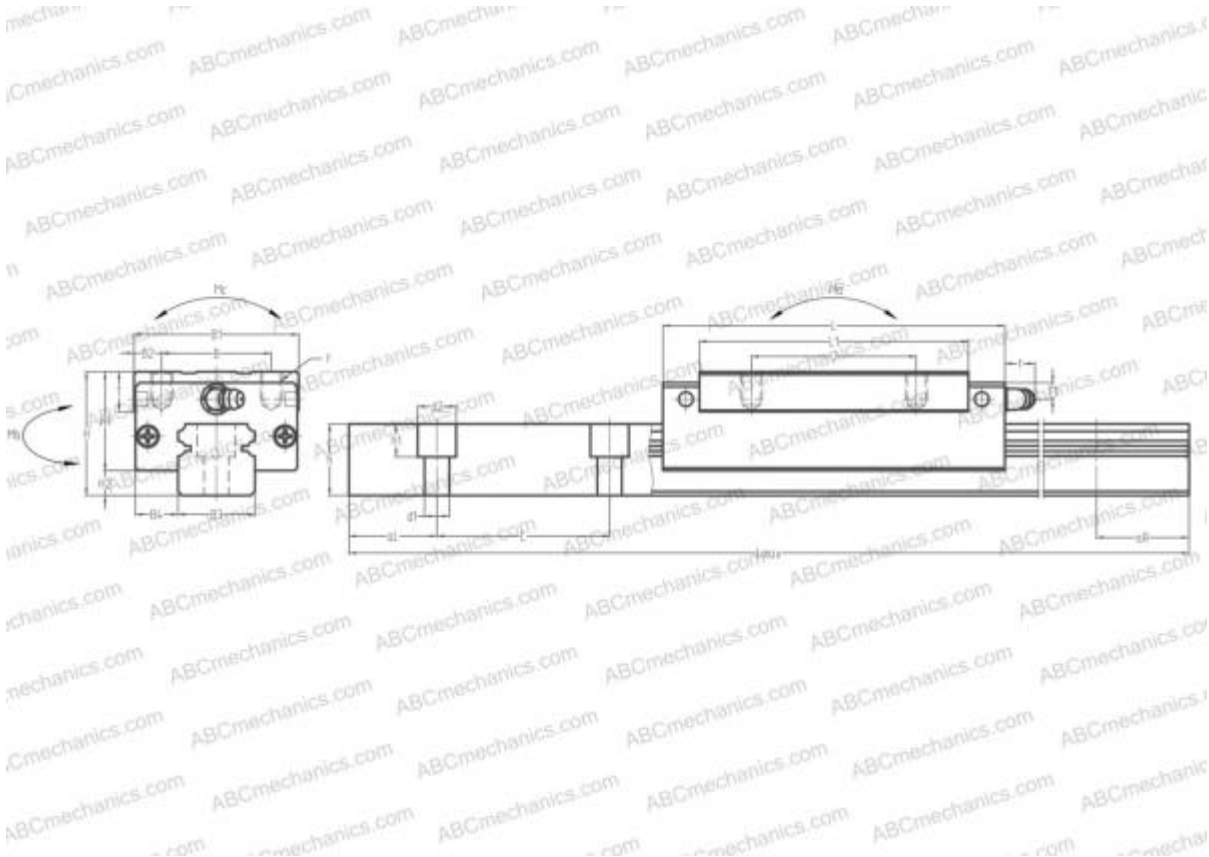


## LH45BN ABC

Linear guides

TYPE: Monorail guidance systems, Recirculating balls, High vertical load carrying capacity type, Self-aligning type, Square type, High, Ball slide length - long, Mounting tap



### Technical specification

#### DIMENSIONS, MM

|    |         |
|----|---------|
| B1 | 86,000  |
| H  | 70,000  |
| L  | 171,000 |
| B  | 60,000  |
| J  | 80,000  |
| L1 | 137,000 |
| B2 | 13,000  |
| B3 | 45,000  |
| B4 | 20,500  |
| H1 | 56,000  |
| H2 | 14,000  |
| T  | 17,000  |
| T1 | 20,000  |
| f  | 13,000  |
| C  | 105,000 |

#### DIMENSIONS, MM

|       |            |
|-------|------------|
| d1    | 14,000     |
| d2    | 20,000     |
| h     | 38,000     |
| h1    | 17,000     |
| L max | 3990,000   |
| aL    | 22,500     |
| aR    | 22,500     |
| F     | M10x1.5x17 |

#### WEIGHT

|              |        |
|--------------|--------|
| Slide weight | 3,900  |
| Rail weight  | 12,300 |

#### MANUFACTURER

[ABC](#)

#### INTERCHANGE

|     |                         |
|-----|-------------------------|
| NSK | <a href="#">LH45BN</a>  |
| THK | <a href="#">HSR45LR</a> |

**INTERCHANGE**

|                           |                            |
|---------------------------|----------------------------|
| IKO                       | <a href="#">LWHDG45</a>    |
| HIWIN                     | <a href="#">HGH45HA</a>    |
| STAR                      | <a href="#">1624-4</a>     |
| Rockford Linear<br>Motion | <a href="#">RPG45HRL</a>   |
| INA                       | <a href="#">KUV45-B-HL</a> |
| THOMSON                   | <a href="#">AG 45HE</a>    |
| SCHNEEBERGER              | <a href="#">BMD 45</a>     |