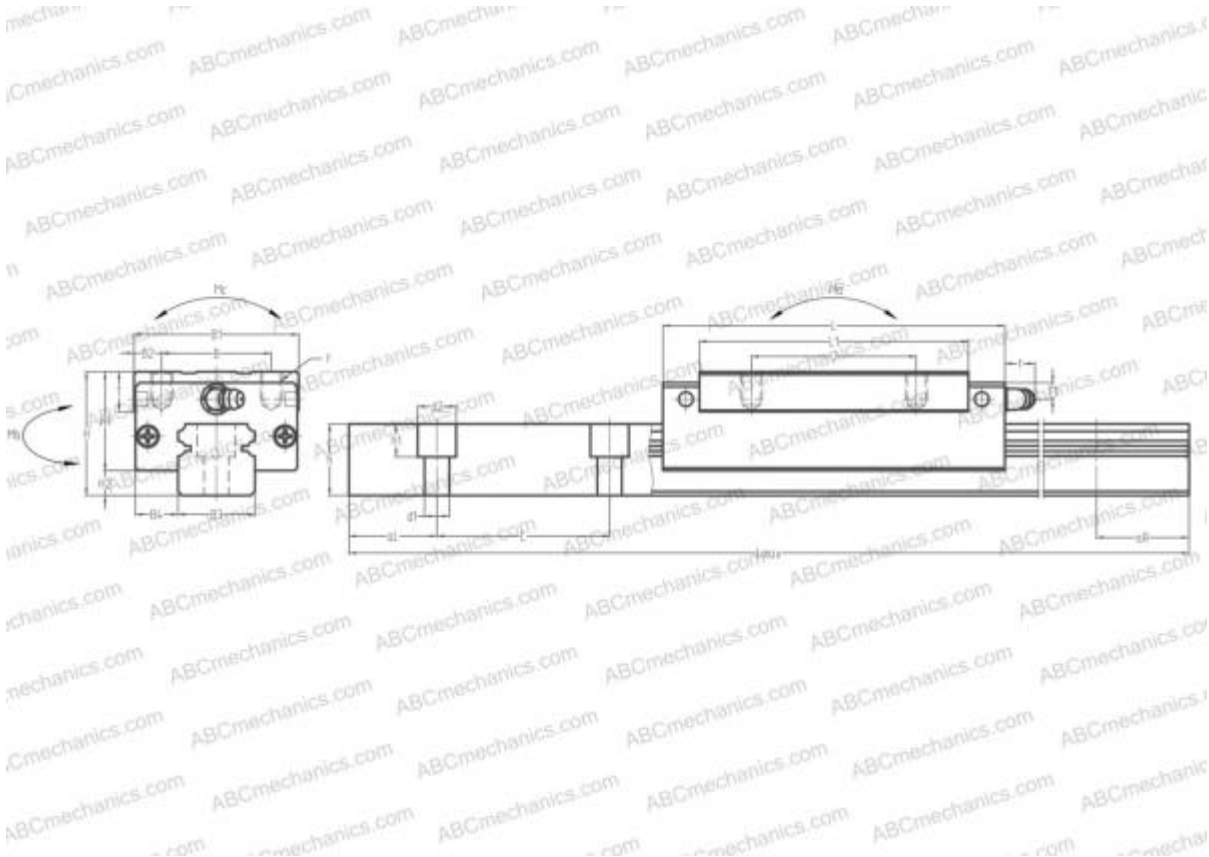


LH45BN NSK

Linear guides

TYPE: Monorail guidance systems, Recirculating balls, High vertical load carrying capacity type, Self-aligning type, Square type, High, Ball slide length - long, Mounting tap



Technical specification

DIMENSIONS, MM

B1	86,000
H	70,000
L	171,000
B	60,000
J	80,000
L1	137,000
B2	13,000
B3	45,000
B4	20,500
H1	56,000
H2	14,000
T	17,000
T1	20,000
f	13,000
C	105,000

DIMENSIONS, MM

d1	14,000
d2	20,000
h	38,000
h1	17,000
L max	3990,000
aL	22,500
aR	22,500
F	M10x1.5x17

WEIGHT

Slide weight	3,900
Rail weight	12,300

MANUFACTURER

[NSK](#)

INTERCHANGE

ABC	LH45BN
THK	HSR45LR

INTERCHANGE

IKO	LWHDG45
HIWIN	HGH45HA
STAR	1624-4
Rockford Linear Motion	RPG45HRL
INA	KUVE45-B-HL
THOMSON	AG 45HE
SCHNEEBERGER	BMD 45

CALCULATION DATA

Basic dynamic load rating, C	79,500 kN
Basic static load rating, Co	146,000 kN
Static permissible moment, Ma	2,460 kN-m
Static permissible moment, Mb	2,430 kN-m
Static permissible moment, Mc	2,590 kN-m

INCLUDED PRODUCTS

LAH45BN