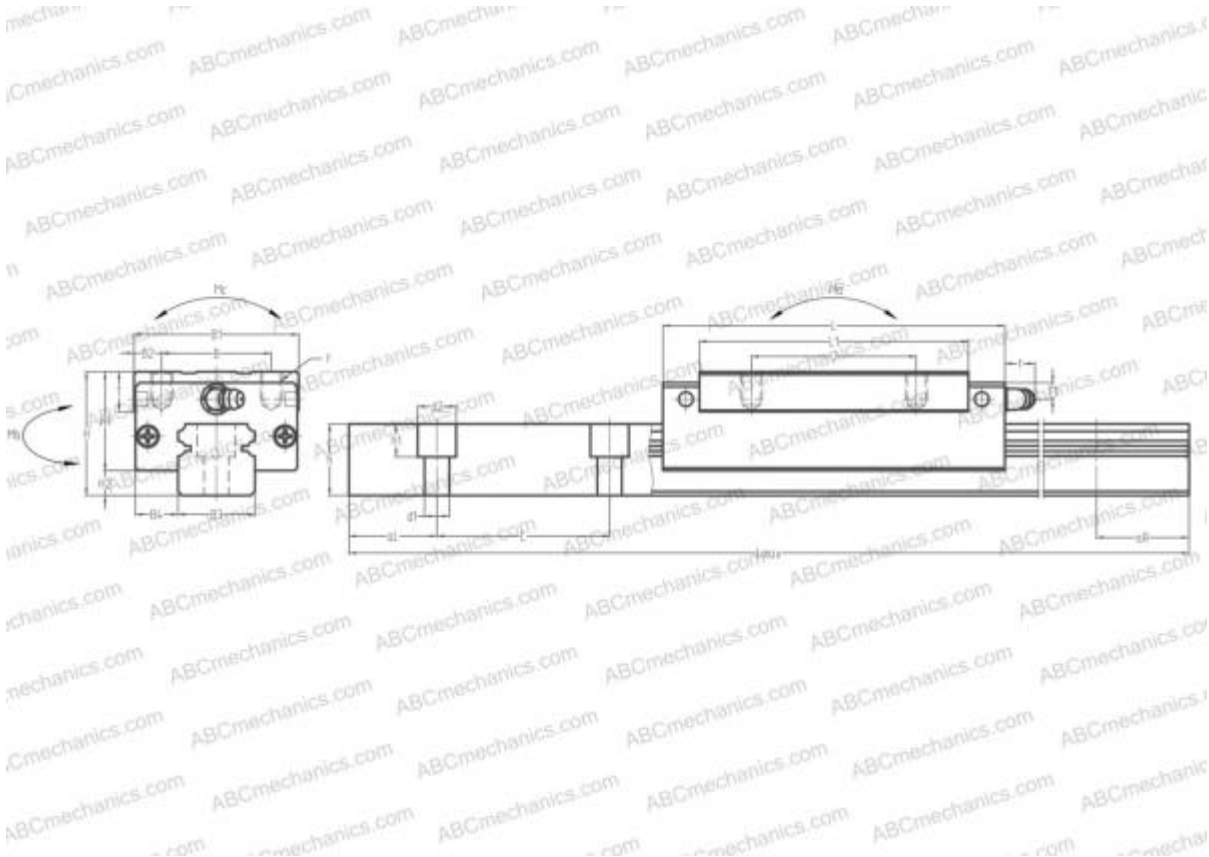


## LWHDG45 IKO

Linear guides

TYPE: Monorail guidance systems, Recirculating balls, High vertical load carrying capacity type, Self-aligning type, Square type, High, Ball slide length - long, Mounting tap



### Technical specification

#### DIMENSIONS, MM

B1	86,000
H	70,000
L	171,000
B	60,000
J	80,000
L1	137,000
B2	13,000
B3	45,000
B4	20,500
H1	56,000
H2	14,000
T	17,000
T1	20,000
f	13,000
C	105,000

#### DIMENSIONS, MM

d1	14,000
d2	20,000
h	38,000
h1	17,000
L max	3990,000
aL	22,500
aR	22,500
F	M10x1.5x17

#### WEIGHT

Slide weight	3,900
Rail weight	12,300

#### MANUFACTURER

[IKO](#)

#### INTERCHANGE

ABC	<a href="#">LH45BN</a>
NSK	<a href="#">LH45BN</a>

**INTERCHANGE**

THK	<a href="#">HSR45LR</a>
HIWIN	<a href="#">HGH45HA</a>
STAR	<a href="#">1624-4</a>
Rockford Linear Motion	<a href="#">RPG45HRL</a>
INA	<a href="#">KUV45-B-HL</a>
THOMSON	<a href="#">AG 45HE</a>
SCHNEEBERGER	<a href="#">BMD 45</a>