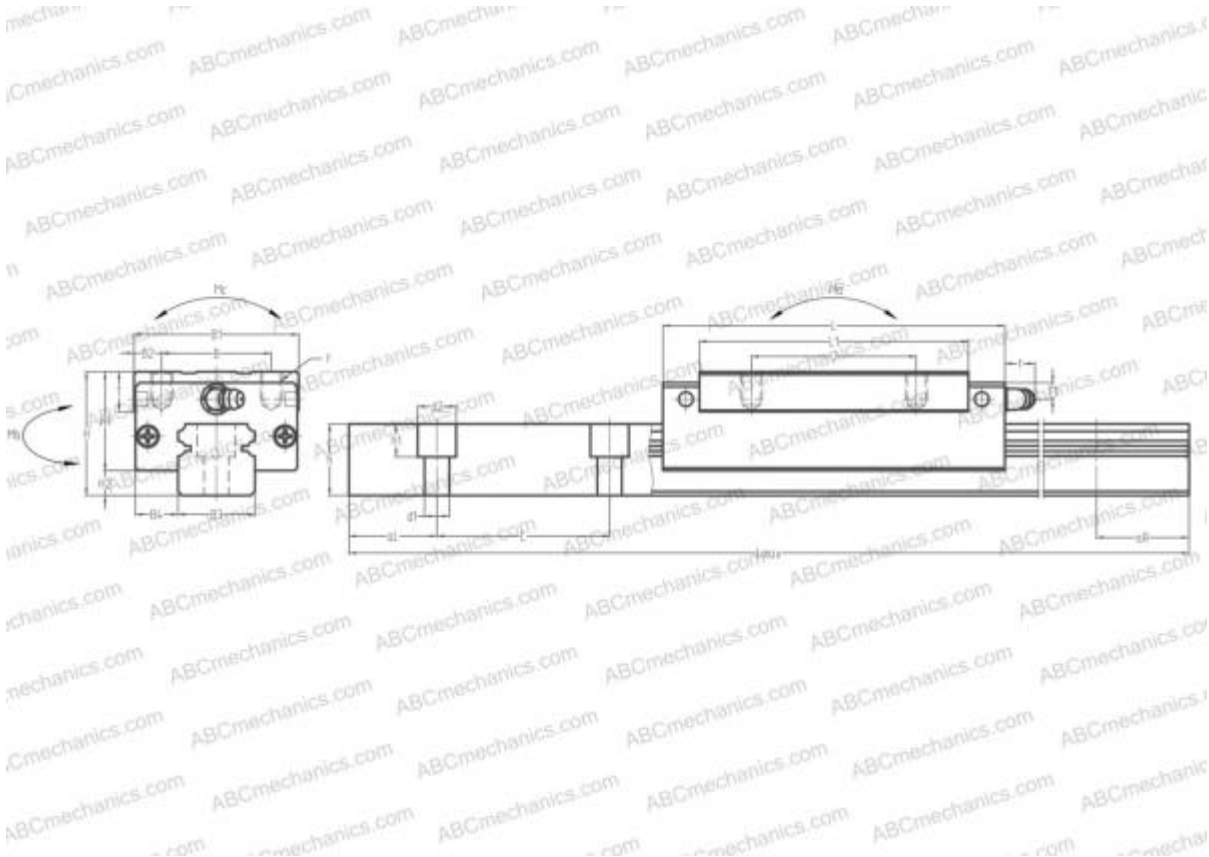


LH55BN NSK

Linear guides

TYPE: Monorail guidance systems, Recirculating balls, High vertical load carrying capacity type, Self-aligning type, Square type, High, Ball slide length - long, Mounting tap



Technical specification

DIMENSIONS, MM

B1	100,000
H	80,000
L	201,000
B	75,000
J	95,000
L1	164,000
B2	12,500
B3	53,000
B4	23,500
H1	65,000
H2	15,000
T	18,000
T1	21,000
f	13,000
C	120,000

DIMENSIONS, MM

d1	16,000
d2	23,000
h	44,000
h1	20,000
L max	3960,000
aL	30,000
aR	30,000
F	M12x1.75x18

WEIGHT

Slide weight	6,100
Rail weight	16,900

MANUFACTURER

[NSK](#)

INTERCHANGE

ABC	LH55BN
THK	HSR55LR

INTERCHANGE

IKO	LWHDG55
HIWIN	HGH55HA
STAR	1624-5
THOMSON	AG 55HE

CALCULATION DATA

Basic dynamic load rating, C	118,000 kN
Basic static load rating, Co	207,000 kN
Static permissible moment, Ma	4,250 kN-m
Static permissible moment, Mb	4,150 kN-m
Static permissible moment, Mc	4,400 kN-m

INCLUDED PRODUCTS

LAH55BN