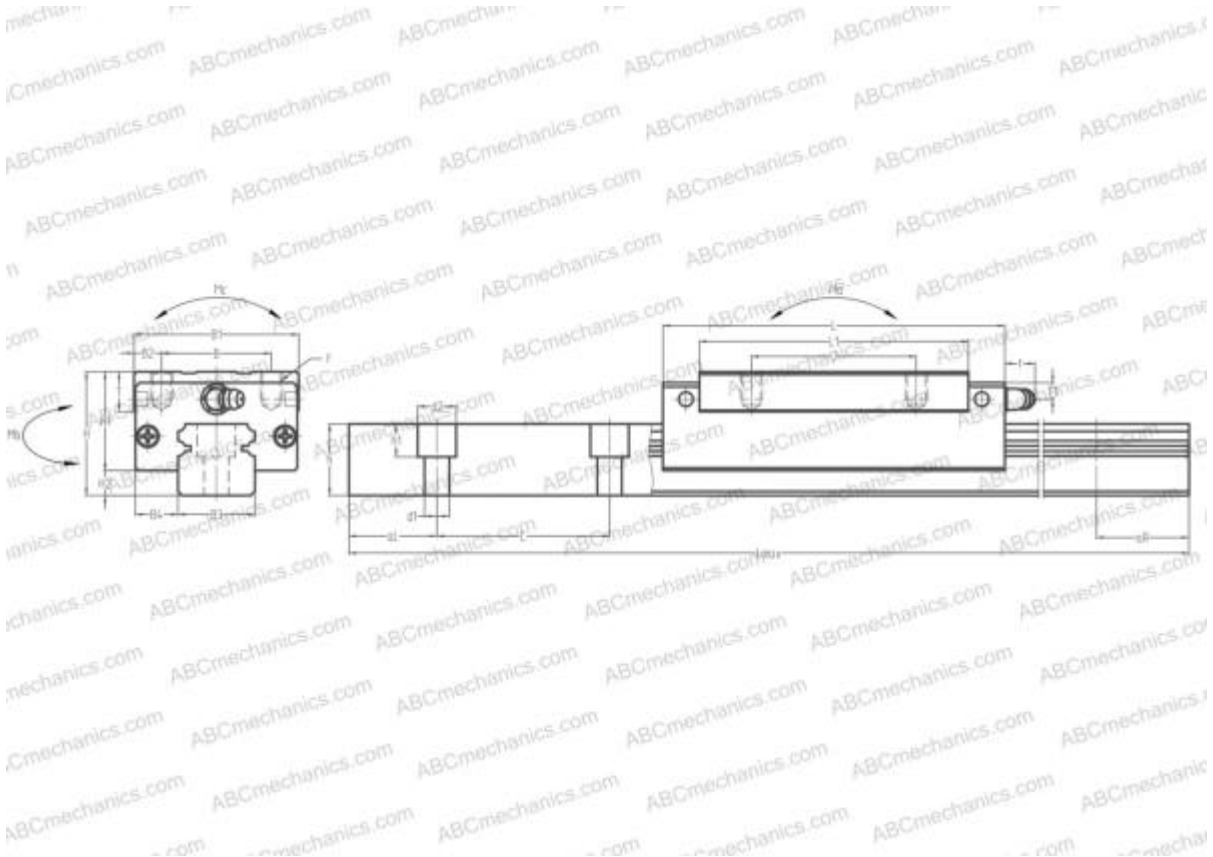


## LH65BN NSK

Linear guides

TYPE: Monorail guidance systems, Recirculating balls, High vertical load carrying capacity type, Self-aligning type, Square type, High, Ball slide length - long, Mounting tap



### Technical specification

#### DIMENSIONS, MM

B1	126,000
H	90,000
L	253,000
B	76,000
J	120,000
L1	207,000
B2	25,000
B3	63,000
B4	31,500
H1	74,000
H2	16,000
T	23,000
T1	19,000
f	13,000
C	150,000

#### DIMENSIONS, MM

d1	18,000
d2	26,000
h	53,000
h1	22,000
L max	3900,000
aL	35,000
aR	35,000
F	M16x2x20

#### WEIGHT

Slide weight	10,800
Rail weight	24,300

#### MANUFACTURER

[NSK](#)

#### INTERCHANGE

ABC	<a href="#">LH65BN</a>
THK	<a href="#">HSR65LR</a>

## INTERCHANGE

IKO	<a href="#">LWHDG65</a>
HIWIN	<a href="#">HGH65HA</a>
STAR	<a href="#">1623-6</a>

## CALCULATION DATA

Basic dynamic load rating, C	189,000 kN
Basic static load rating, Co	320,000 kN
Static permissible moment, Ma	8,350 kN-m
Static permissible moment, Mb	8,150 kN-m
Static permissible moment, Mc	8,150 kN-m

## INCLUDED PRODUCTS

LAH65BN