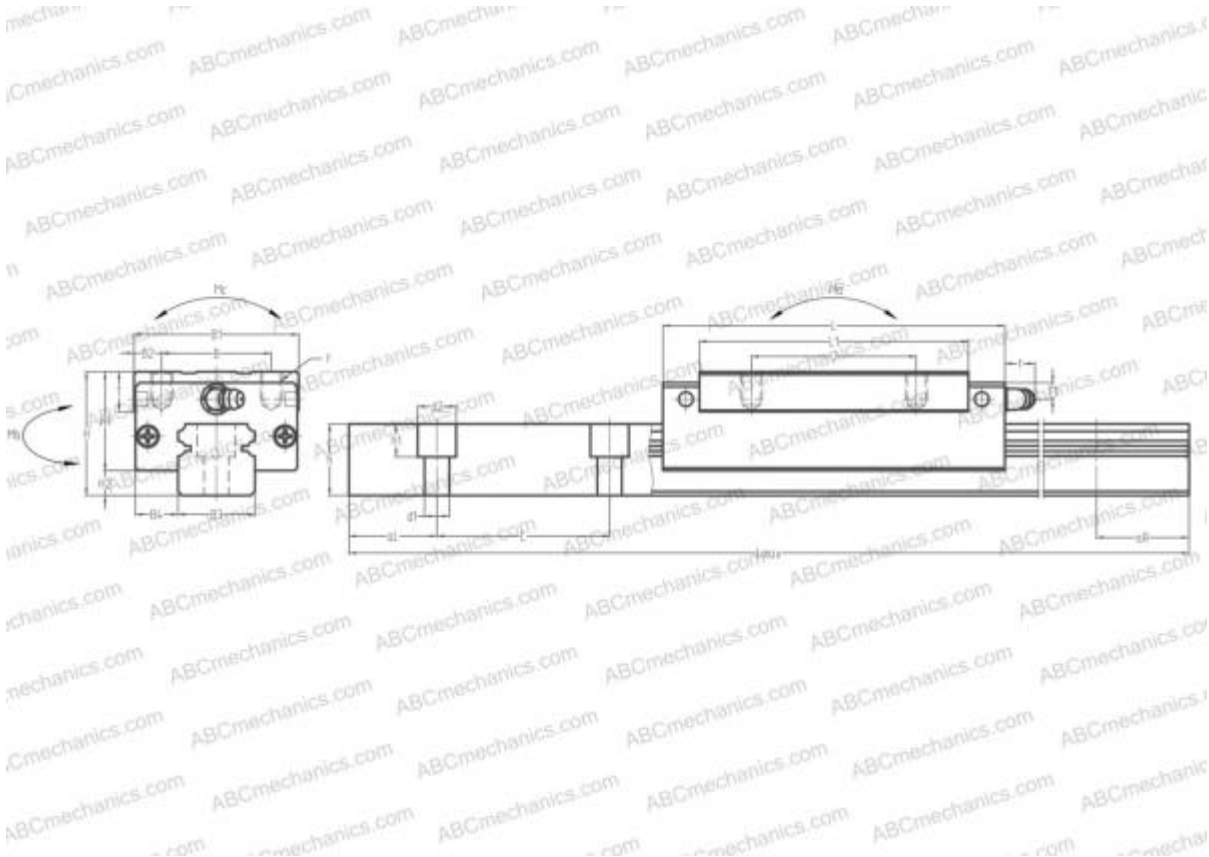


HGH65HA HIWIN

Linear guides

TYPE: Monorail guidance systems, Recirculating balls, High vertical load carrying capacity type, Self-aligning type, Square type, High, Ball slide length - long, Mounting tap



Technical specification

DIMENSIONS, MM

B1	126,000
H	90,000
L	253,000
B	76,000
J	120,000
L1	207,000
B2	25,000
B3	63,000
B4	31,500
H1	74,000
H2	16,000
T	23,000
T1	19,000
f	13,000
C	150,000

DIMENSIONS, MM

d1	18,000
d2	26,000
h	53,000
h1	22,000
L max	3900,000
aL	35,000
aR	35,000
F	M16x2x20

WEIGHT

Slide weight	10,800
Rail weight	24,300

MANUFACTURER

[HIWIN](#)

INTERCHANGE

ABC	LH65BN
NSK	LH65BN

INTERCHANGE

THK	HSR65LR
IKO	LWHDG65
STAR	1623-6