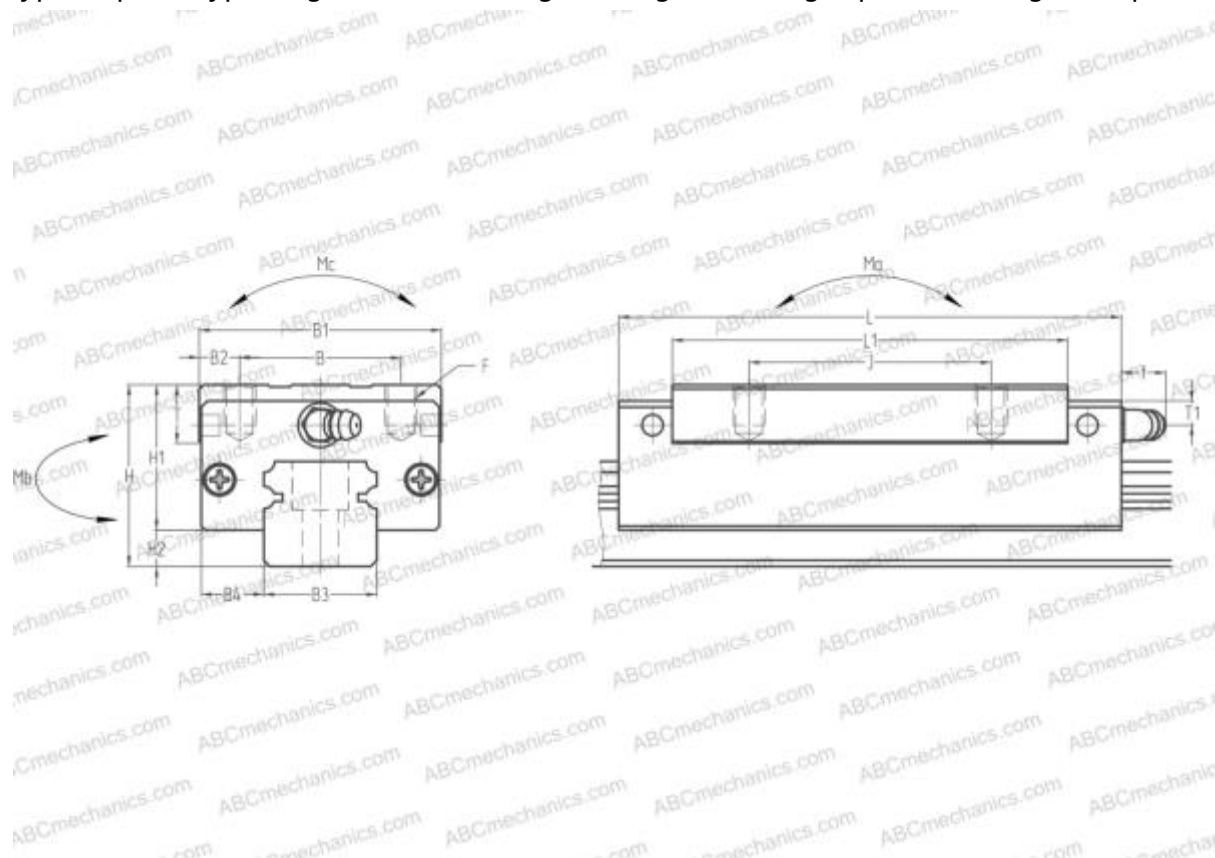


## LAH35BN NSK

Linear guides

TYPE: Monorail guidance systems, Recirculating balls, High vertical load carrying capacity type, Self-aligning type, Square type, High, Ball slide length - long, Mounting tap, Interchangeable part



### Technical specification

#### DIMENSIONS, MM

B1	70,000
H	55,000
L	143,000
B	50,000
J	72,000
L1	114,000
B2	10,000
B3	34,000
B4	18,000
H1	45,500
H2	9,500
T	15,000
T1	15,000
f	11,000
F	M8x1.25x12

#### SLIDE WEIGHT

2,100

#### MANUFACTURER

[NSK](#)

#### CALCULATION DATA

Basic dynamic load rating, C	49,500 kN
Basic static load rating, Co	97,500 kN
Static permissible moment, Ma	1,410 kN-m
Static permissible moment, Mb	1,380 kN-m
Static permissible moment, Mc	1,330 kN-m