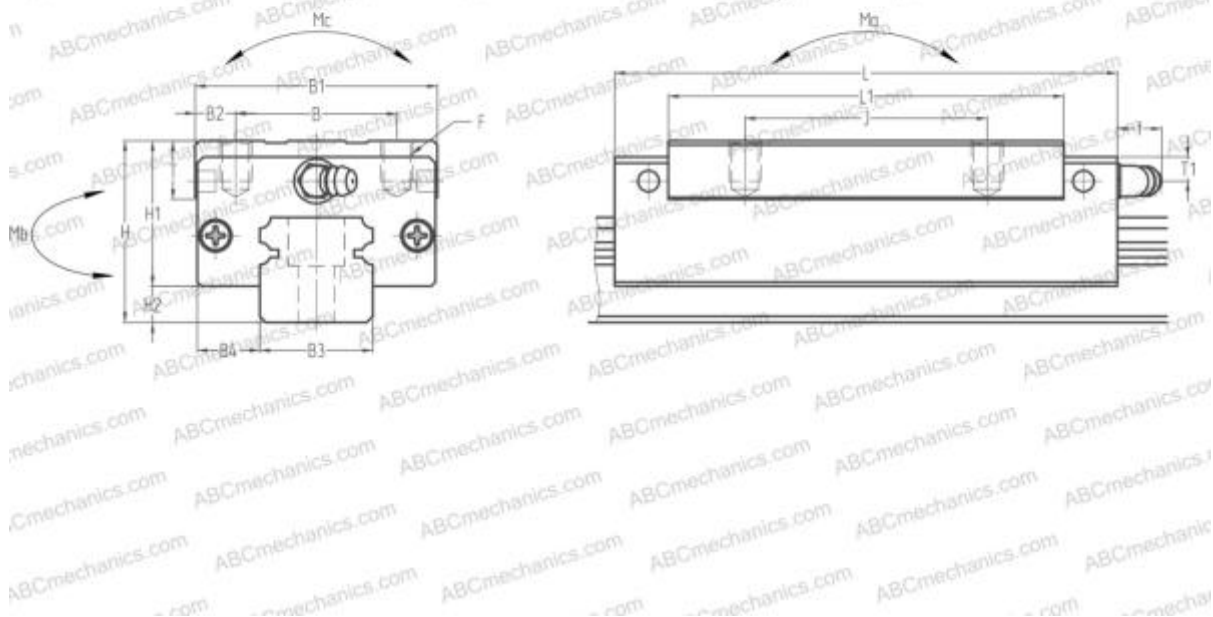


LAH65BN NSK

Linear guides

TYPE: Monorail guidance systems, Recirculating balls, High vertical load carrying capacity type, Self-aligning type, Square type, High, Ball slide length - long, Mounting tap, Interchangeable part



Technical specification

DIMENSIONS, MM

B1	126,000
H	90,000
L	253,000
B	76,000
J	120,000
L1	207,000
B2	25,000
B3	63,000
B4	31,500
H1	74,000
H2	16,000
T	23,000
T1	19,000
f	13,000
F	M16x2x20

SLIDE WEIGHT

10,800

MANUFACTURER

[NSK](#)

CALCULATION DATA

Basic dynamic load rating, C	189,000 kN
Basic static load rating, Co	320,000 kN
Static permissible moment, Ma	8,350 kN-m
Static permissible moment, Mb	8,150 kN-m
Static permissible moment, Mc	8,150 kN-m