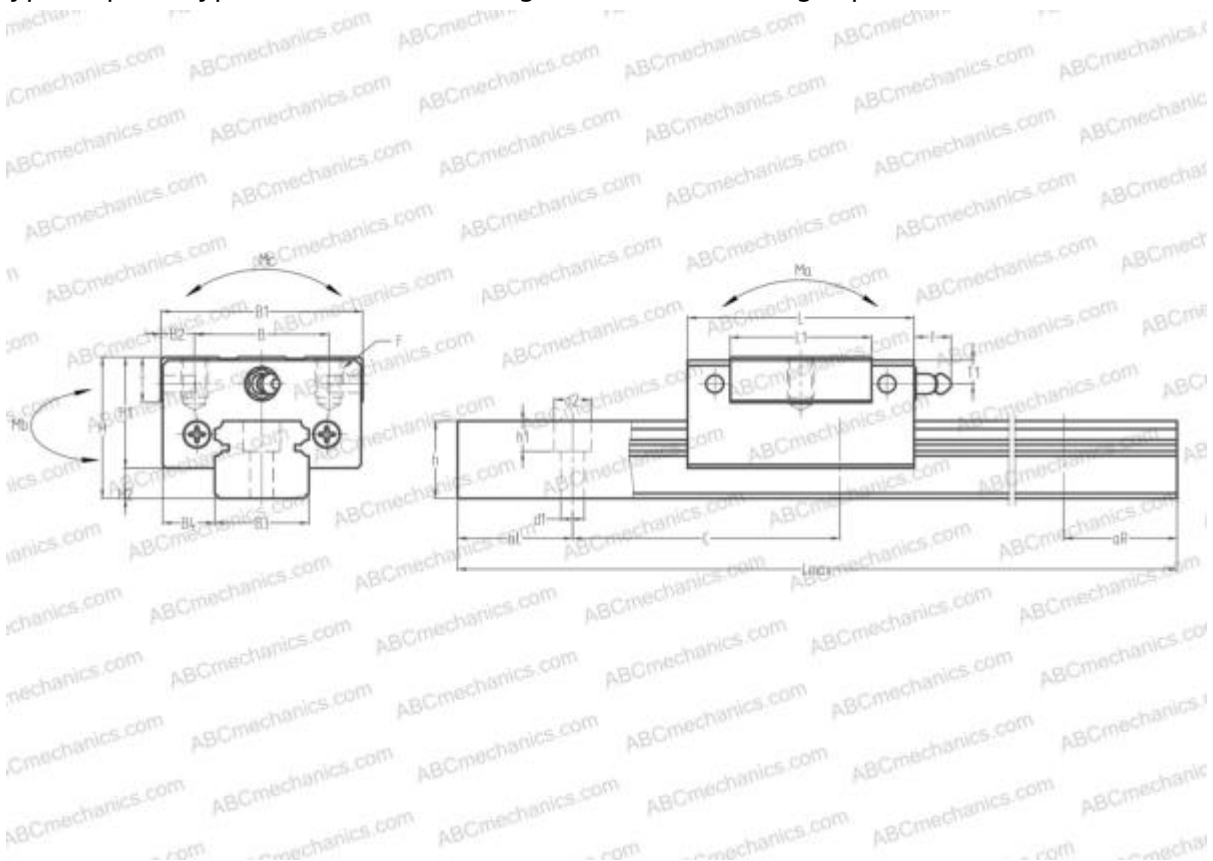


LS15CL ABC

Linear guides

TYPE: Monorail guidance systems, Recirculating balls, High vertical load carrying capacity type, Self-aligning type, Square type, Low, Ball slide length - short, Mounting tap



Technical specification

DIMENSIONS, MM

B1	34,000
H	24,000
L	40,400
B	26,000
L1	23,600
B2	4,000
B3	15,000
B4	9,500
H1	19,400
H2	4,600
T	10,000
T1	6,000
f	3,000
C	60,000
d1	3,500

DIMENSIONS, MM

d2	6,000
h	12,500
h1	4,500
L max	2000,000
aL	20,000
aR	20,000
F	M4x0.7x6

WEIGHT

Slide weight	0,140
Rail weight	1,400

MANUFACTURER

[ABC](#)

INTERCHANGE

NSK	LS15CL
THK	SR15V
IKO	LWESC15

INTERCHANGE

HIWIN	EGH15SA
STAR	1666-1
Rockford Linear Motion	RPG15SV
INA	KUV15-B-ESC
NB	SGL15F-D