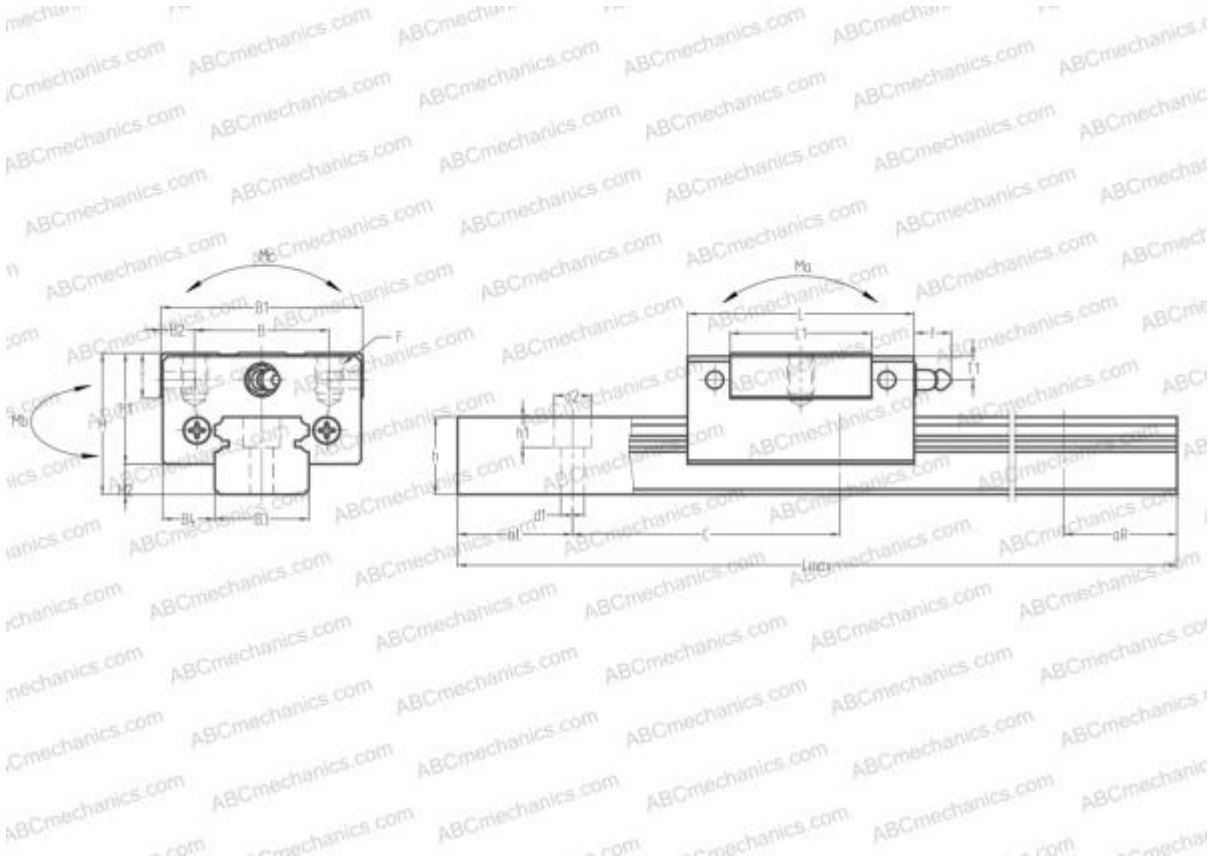


## SR15V THK

Linear guides

TYPE: Monorail guidance systems, Recirculating balls, High vertical load carrying capacity type, Self-aligning type, Square type, Low, Ball slide length - short, Mounting tap



### Technical specification

#### DIMENSIONS, MM

B1	34,000
H	24,000
L	40,400
B	26,000
L1	23,600
B2	4,000
B3	15,000
B4	9,500
H1	19,400
H2	4,600
T	10,000
T1	6,000
f	3,000
C	60,000
d1	3,500

#### DIMENSIONS, MM

d2	6,000
h	12,500
h1	4,500
L max	2000,000
aL	20,000
aR	20,000
F	M4x0.7x6

#### WEIGHT

Slide weight	0,140
Rail weight	1,400

#### MANUFACTURER

[THK](#)

#### INTERCHANGE

ABC	<a href="#">LS15CL</a>
NSK	<a href="#">LS15CL</a>
IKO	<a href="#">LWESC15</a>

**INTERCHANGE**

HIWIN	<a href="#">EGH15SA</a>
STAR	<a href="#">1666-1</a>
Rockford Linear Motion	<a href="#">RPG15SV</a>
INA	<a href="#">KUV15-B-ESC</a>
NB	<a href="#">SGL15F-D</a>