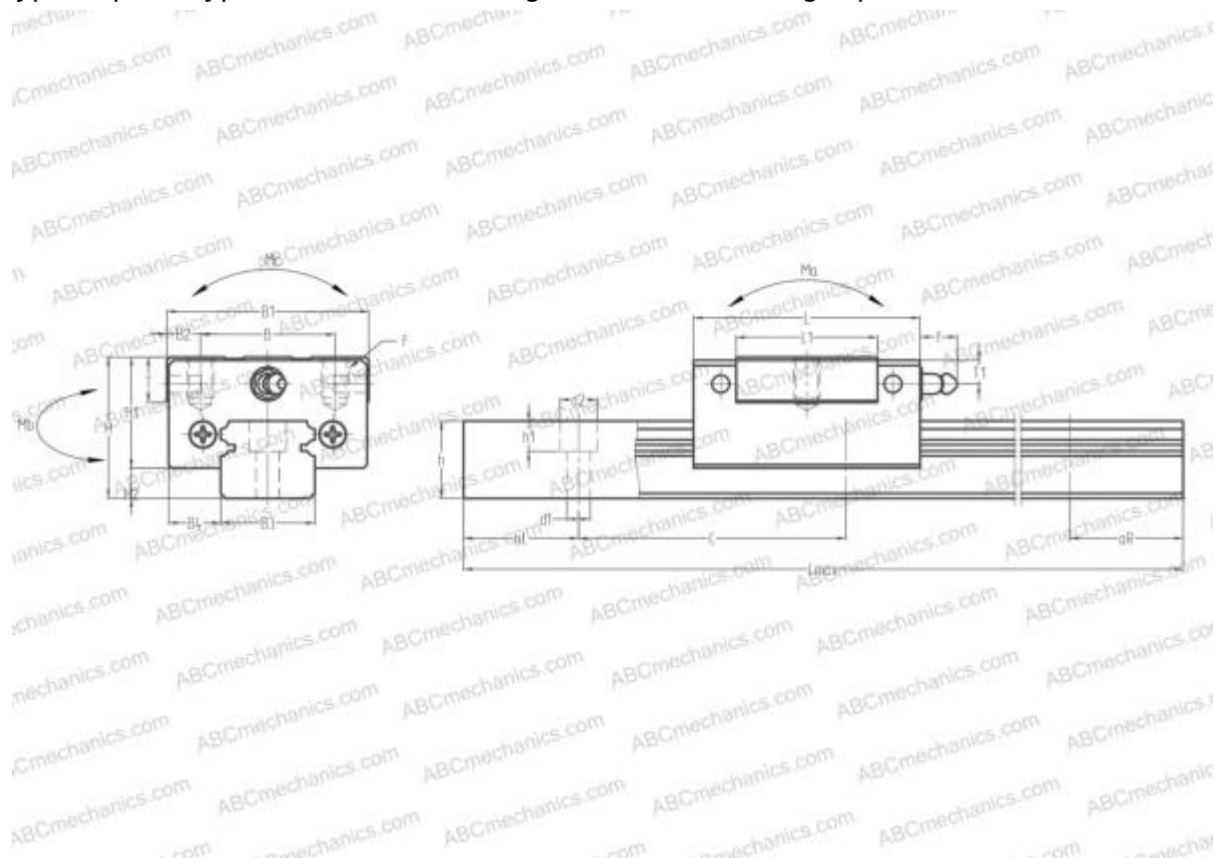


## LS20CL NSK

Linear guides

TYPE: Monorail guidance systems, Recirculating balls, High vertical load carrying capacity type, Self-aligning type, Square type, Low, Ball slide length - short, Mounting tap



### Technical specification

#### DIMENSIONS, MM

B1	42,000
H	28,000
L	47,200
B	32,000
L1	30,000
B2	5,000
B3	20,000
B4	11,000
H1	22,000
H2	6,000
T	12,000
T1	5,500
f	11,000
C	60,000
d1	6,000

#### DIMENSIONS, MM

d2	9,500
h	15,500
h1	8,500
L max	3960,000
aL	20,000
aR	20,000
F	M5x0.8x7

#### WEIGHT

Slide weight	0,190
Rail weight	2,300

#### MANUFACTURER

[NSK](#)

#### INTERCHANGE

ABC	<a href="#">LS20CL</a>
THK	<a href="#">SR20V</a>
IKO	<a href="#">LWESC20</a>

## INTERCHANGE

HIWIN	<a href="#">EGH20SA</a>
STAR	<a href="#">1664-8</a>
Rockford Linear Motion	<a href="#">RPG20SV</a>
INA	<a href="#">KUV20-B-ESC</a>
NB	<a href="#">SGL20F</a>

## CALCULATION DATA

Basic dynamic load rating, C	6,550 kN
Basic static load rating, Co	12,200 kN
Static permissible moment, Ma	0,039 kN-m
Static permissible moment, Mb	0,039 kN-m
Static permissible moment, Mc	0,088 kN-m

## INCLUDED PRODUCTS

LAS20CL