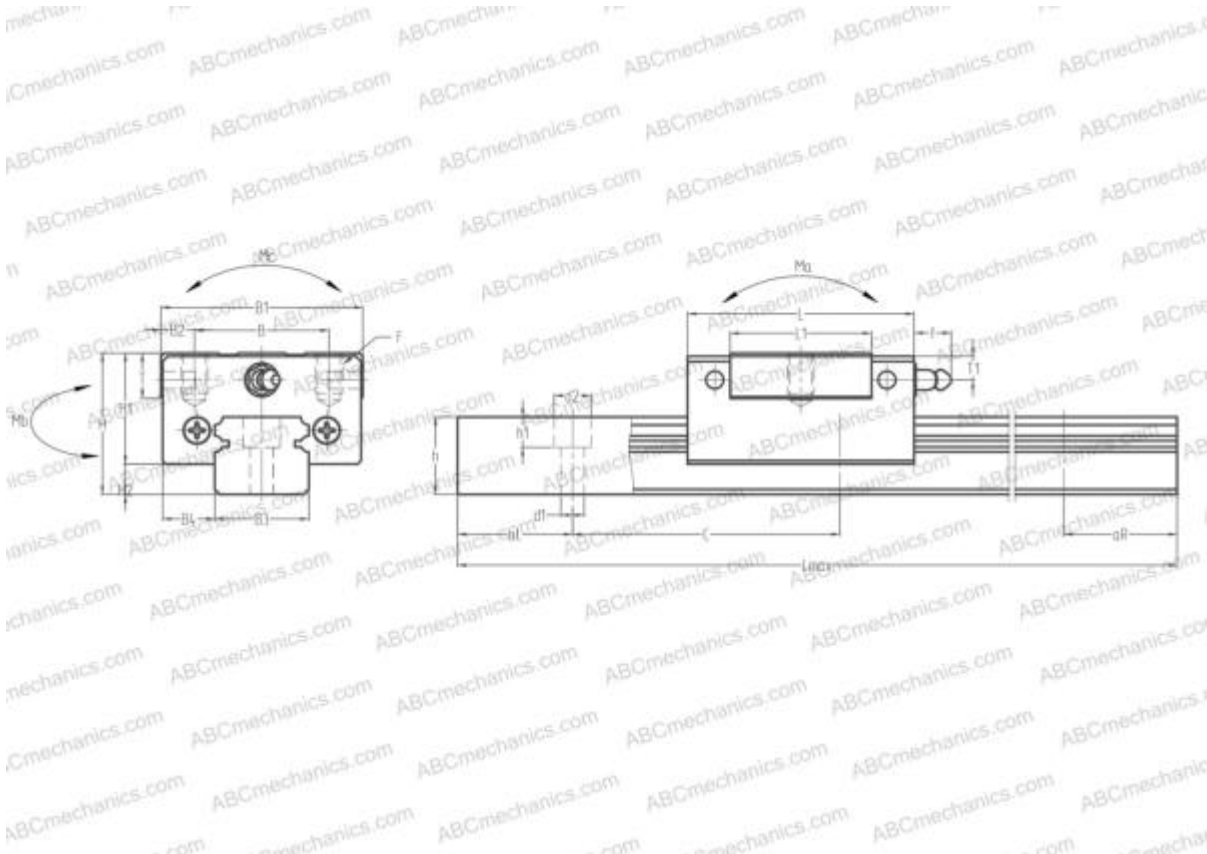


## RPG20SV Rockford Linear Motion

Linear guides

TYPE: Monorail guidance systems, Recirculating balls, High vertical load carrying capacity type, Self-aligning type, Square type, Low, Ball slide length - short, Mounting tap



### Technical specification

#### DIMENSIONS, MM

B1	42,000
H	28,000
L	47,200
B	32,000
L1	30,000
B2	5,000
B3	20,000
B4	11,000
H1	22,000
H2	6,000
T	12,000
T1	5,500
f	11,000
C	60,000
d1	6,000

#### DIMENSIONS, MM

d2	9,500
h	15,500
h1	8,500
L max	3960,000
aL	20,000
aR	20,000
F	M5x0.8x7

#### WEIGHT

Slide weight	0,190
Rail weight	2,300

#### MANUFACTURER

[Rockford Linear Motion](#)

#### INTERCHANGE

ABC	<a href="#">LS20CL</a>
NSK	<a href="#">LS20CL</a>
THK	<a href="#">SR20V</a>

**INTERCHANGE**

IKO	<a href="#">LWESC20</a>
HIWIN	<a href="#">EGH20SA</a>
STAR	<a href="#">1664-8</a>
INA	<a href="#">KUVE20-B-ESC</a>
NB	<a href="#">SGL20F</a>