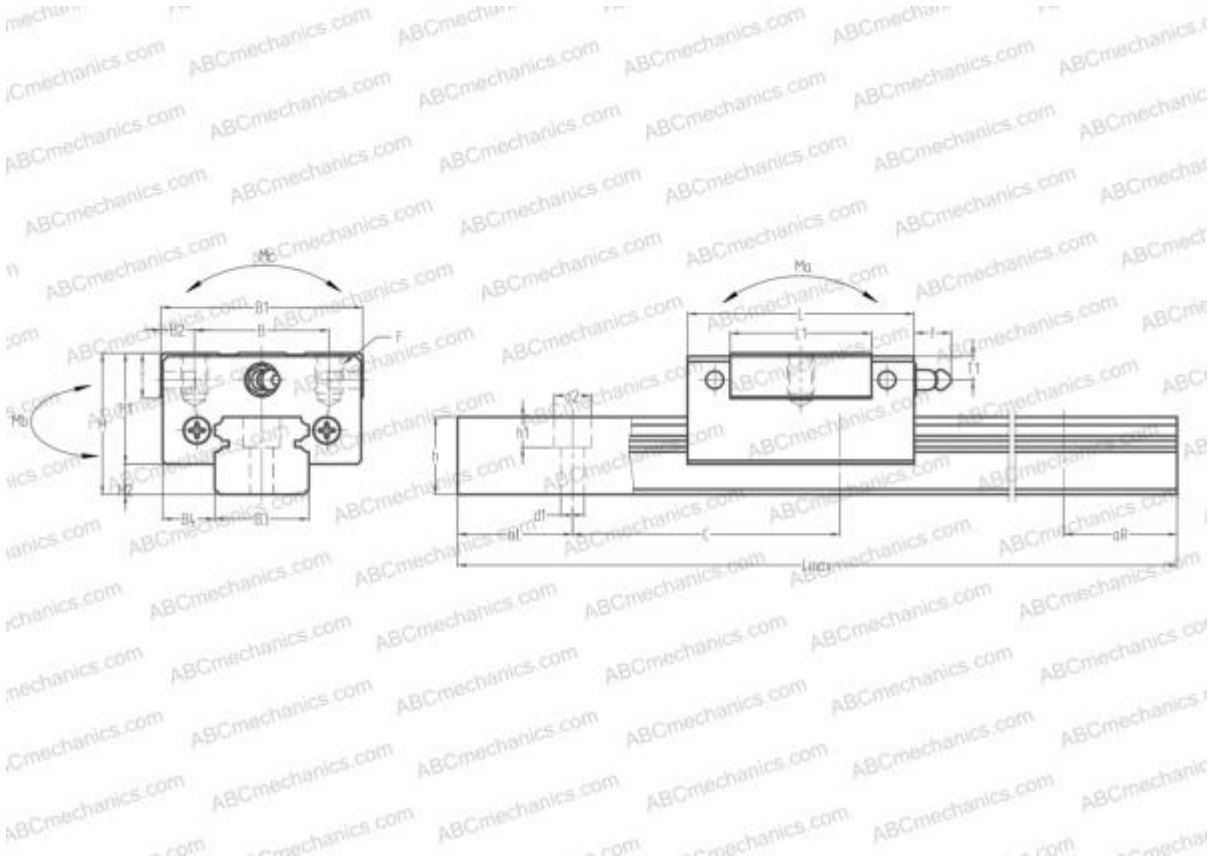


KUVE25-B-ESC INA

Linear guides

TYPE: Monorail guidance systems, Recirculating balls, High vertical load carrying capacity type, Self-aligning type, Square type, Low, Ball slide length - short, Mounting tap



Technical specification

DIMENSIONS, MM

B1	48,000
H	33,000
L	59,600
B	35,000
L1	38,000
B2	6,500
B3	23,000
B4	12,500
H1	26,000
H2	7,000
T	12,000
T1	7,000
f	11,000
C	60,000
d1	7,000

DIMENSIONS, MM

d2	11,000
h	18,000
h1	9,000
L max	3960,000
aL	20,000
aR	20,000
F	M6x1x9

WEIGHT

Slide weight	0,340
Rail weight	3,100

MANUFACTURER

[INA](#)

INTERCHANGE

ABC	LS25CL
NSK	LS25CL
THK	SR25VY

INTERCHANGE

IKO	LWESC25
HIWIN	EGH25SA
STAR	1664-2
Rockford Linear Motion	RPG25SV
NB	SGL25F