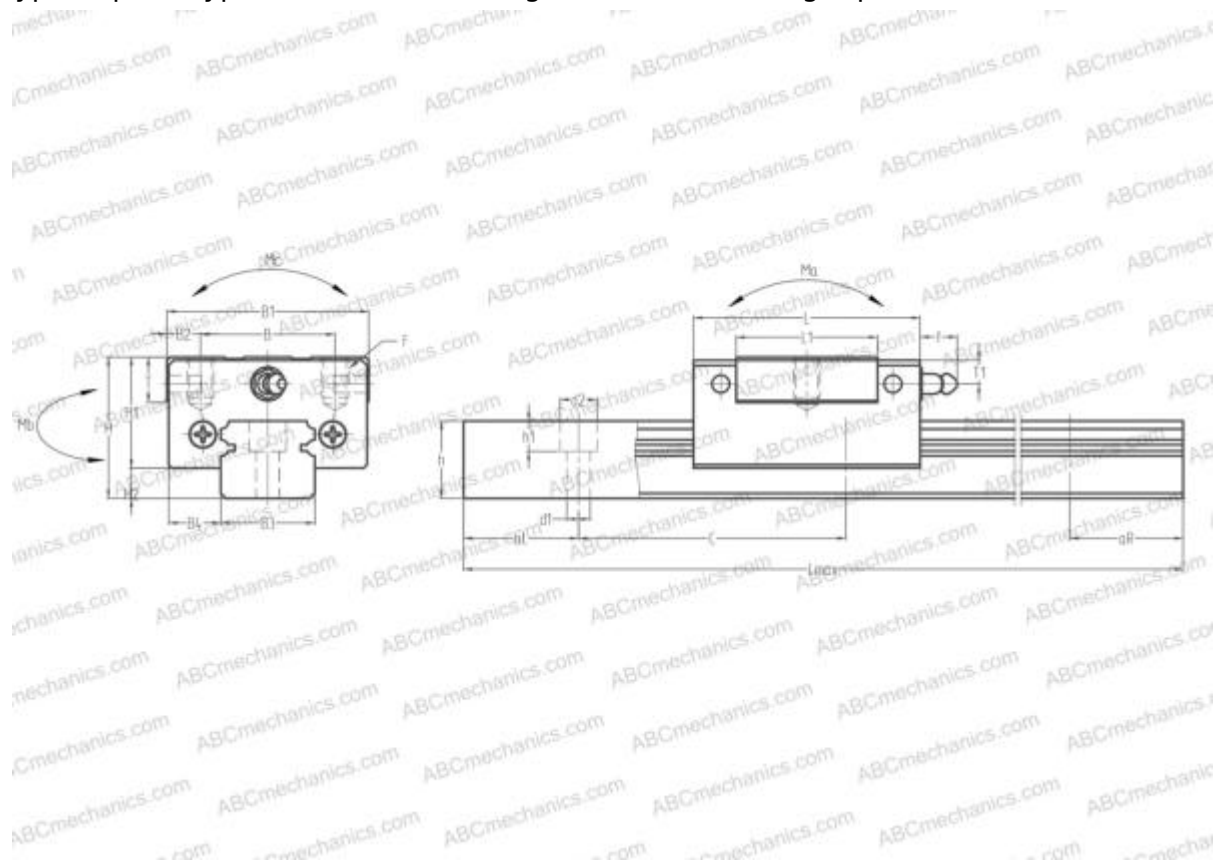


## LS30CL ABC

Linear guides

TYPE: Monorail guidance systems, Recirculating balls, High vertical load carrying capacity type, Self-aligning type, Square type, Low, Ball slide length - short, Mounting tap



### Technical specification

#### DIMENSIONS, MM

B1	60,000
H	42,000
L	67,400
B	40,000
L1	42,000
B2	10,000
B3	28,000
B4	16,000
H1	33,000
H2	9,000
T	13,000
T1	8,000
f	11,000
C	80,000
d1	7,000

#### DIMENSIONS, MM

d2	11,000
h	23,000
h1	9,000
L max	4000,000
aL	20,000
aR	20,000
F	M8x1.25x12

#### WEIGHT

Slide weight	0,580
Rail weight	4,800

#### MANUFACTURER

[ABC](#)

#### INTERCHANGE

NSK	<a href="#">LS30CL</a>
THK	<a href="#">SR30V</a>
IKO	<a href="#">LWESC30</a>

**INTERCHANGE**

HIWIN	<a href="#">EGH30SA</a>
Rockford Linear Motion	<a href="#">RPG30SV</a>
INA	<a href="#">KUV30-B-ESC</a>
NB	<a href="#">SGL30F</a>