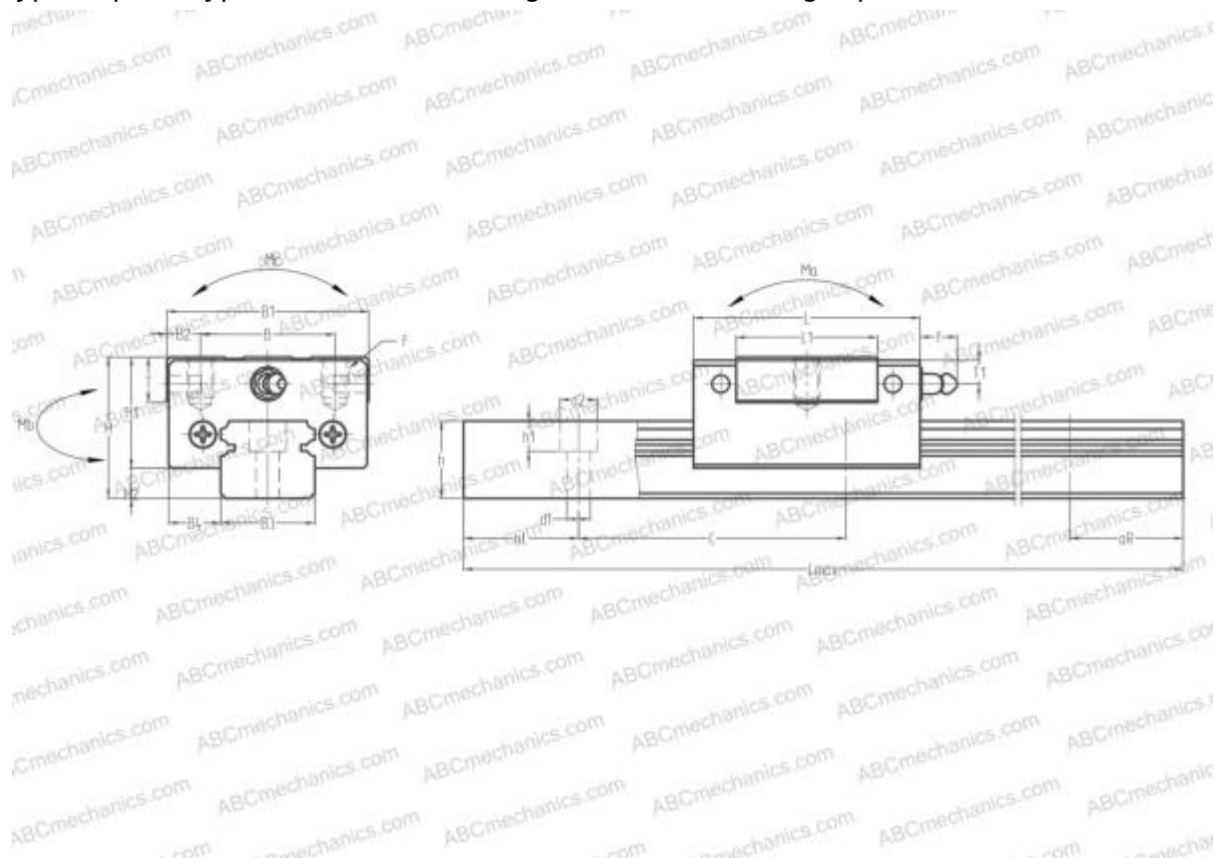


EGH35SA HIWIN

Linear guides

TYPE: Monorail guidance systems, Recirculating balls, High vertical load carrying capacity type, Self-aligning type, Square type, Low, Ball slide length - short, Mounting tap



Technical specification

DIMENSIONS, MM

B1	70,000
H	48,000
L	77,000
B	50,000
L1	49,000
B2	10,000
B3	34,000
B4	18,000
H1	37,500
H2	10,500
T	14,000
T1	8,500
f	11,000
C	80,000
d1	9,000

DIMENSIONS, MM

d2	14,000
h	27,500
h1	12,000
L max	4000,000
aL	20,000
aR	20,000
F	M8x1.25x12

WEIGHT

Slide weight	0,860
Rail weight	7,000

MANUFACTURER

[HIWIN](#)

INTERCHANGE

ABC	LS35CL
NSK	LS35CL
THK	SR35V

INTERCHANGE

IKO	LWESC35
STAR	1666-3
Rockford Linear Motion	RPG35SV
INA	KUV35-B-ESC
NB	SGL35F