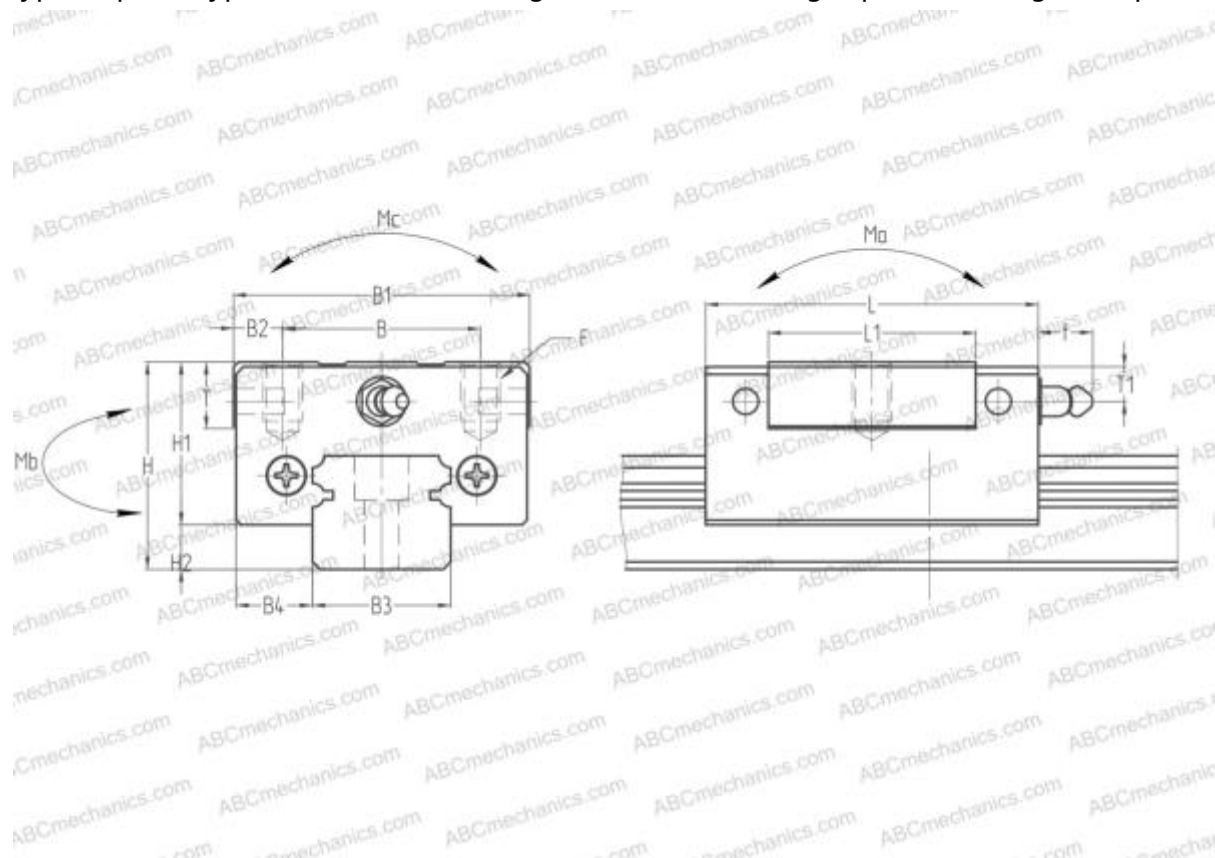


LAS35CL NSK

Linear guides

TYPE: Monorail guidance systems, Recirculating balls, High vertical load carrying capacity type, Self-aligning type, Square type, Low, Ball slide length - short, Mounting tap, Interchangeable part



Technical specification

DIMENSIONS, MM

| | |
|----|------------|
| B1 | 70,000 |
| H | 48,000 |
| L | 77,000 |
| B | 50,000 |
| L1 | 49,000 |
| B2 | 10,000 |
| B3 | 34,000 |
| B4 | 18,000 |
| H1 | 37,500 |
| H2 | 10,500 |
| T | 14,000 |
| T1 | 8,500 |
| f | 11,000 |
| F | M8x1.25x12 |

SLIDE WEIGHT

0,860

MANUFACTURER

[NSK](#)

CALCULATION DATA

| | |
|-------------------------------|------------|
| Basic dynamic load rating, C | 22,100 kN |
| Basic static load rating, Co | 36,000 kN |
| Static permissible moment, Ma | 0,177 kN-m |
| Static permissible moment, Mb | 0,177 kN-m |
| Static permissible moment, Mc | 0,410 kN-m |