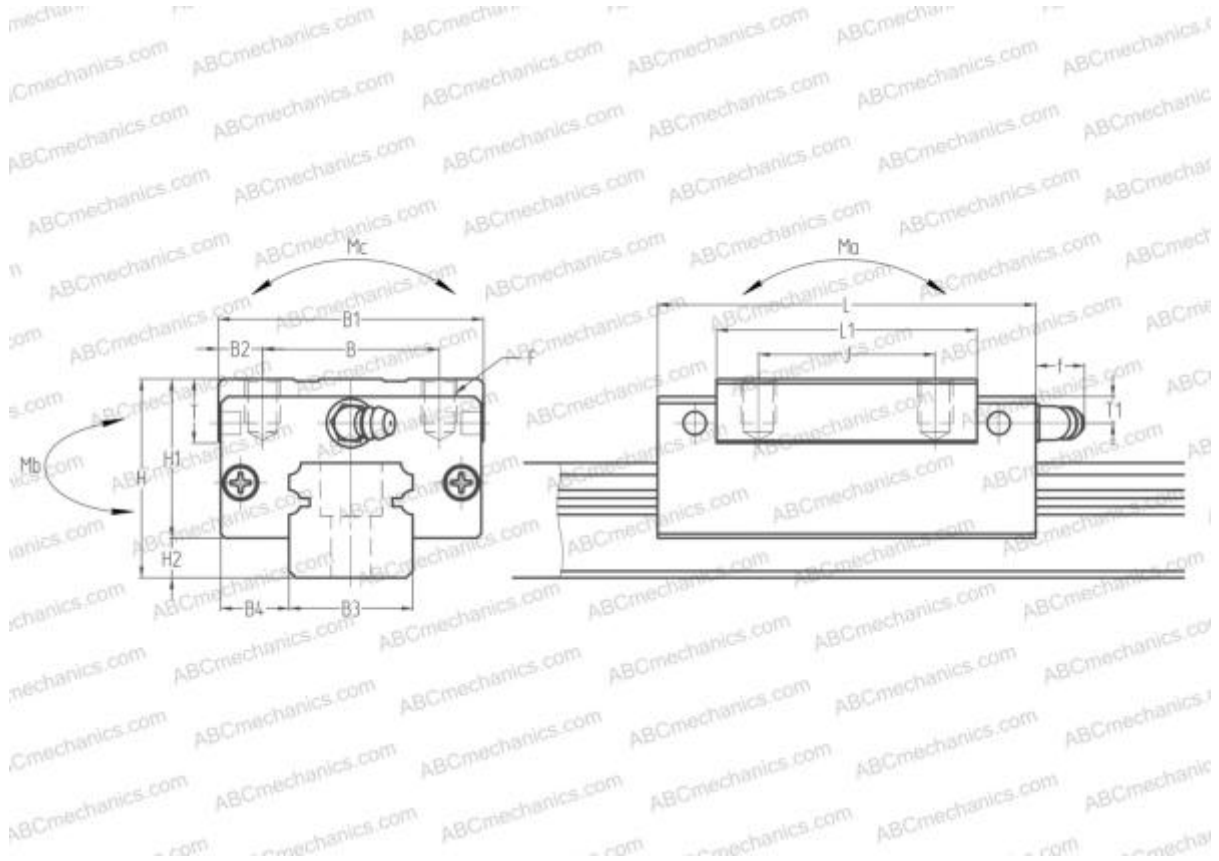


## SAH25AN NSK

Linear guides

TYPE: Monorail guidance systems, Recirculating balls, High vertical load carrying capacity type, Self-aligning type, Square type, High, Ball slide length - standard, Mounting tap, Low noise, smooth operation type, Interchangeable part



### Technical specification

#### DIMENSIONS, MM

B1	48,000
H	40,000
L	79,000
B	35,000
J	35,000
L1	58,000
D2	11,500
B2	6,500
B3	23,000
B4	12,500
H1	33,000
H2	7,000
T	12,000
T1	10,000
f	11,000

#### DIMENSIONS, MM

F	M6x1x9
---	--------

<b>SLIDE WEIGHT</b>	0,550
---------------------	-------

<b>MANUFACTURER</b>	<a href="#">NSK</a>
---------------------	---------------------

#### CALCULATION DATA

Basic dynamic load rating, C	22,400 kN
Basic static load rating, Co	37,500 kN
Static permissible moment, Ma	0,246 kN-m
Static permissible moment, Mb	0,207 kN-m
Static permissible moment, Mc	0,295 kN-m