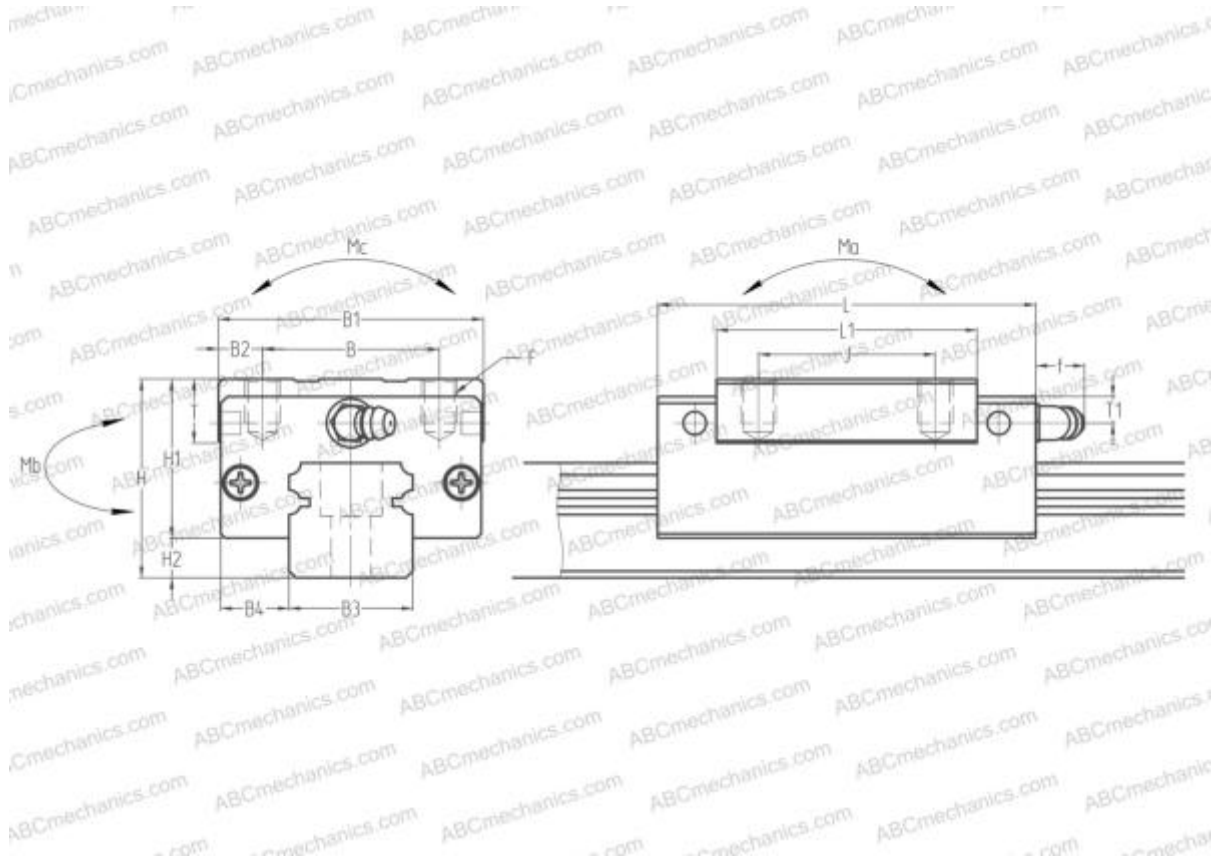


## SAH30AN NSK

Linear guides

TYPE: Monorail guidance systems, Recirculating balls, High vertical load carrying capacity type, Self-aligning type, Square type, High, Ball slide length - standard, Mounting tap, Low noise, smooth operation type, Interchangeable part



### Technical specification

#### DIMENSIONS, MM

B1	60,000
H	45,000
L	85,600
B	40,000
J	40,000
L1	59,000
D2	14,000
B2	10,000
B3	28,000
B4	16,000
H1	36,000
H2	9,000
T	14,000
T1	10,000
f	11,000

#### DIMENSIONS, MM

F	M8x1.25x10
---	------------

**SLIDE WEIGHT** 0,770

**MANUFACTURER** [NSK](#)

#### CALCULATION DATA

Basic dynamic load rating, C	31,000 kN
Basic static load rating, Co	51,500 kN
Static permissible moment, Ma	0,365 kN-m
Static permissible moment, Mb	0,305 kN-m
Static permissible moment, Mc	0,490 kN-m