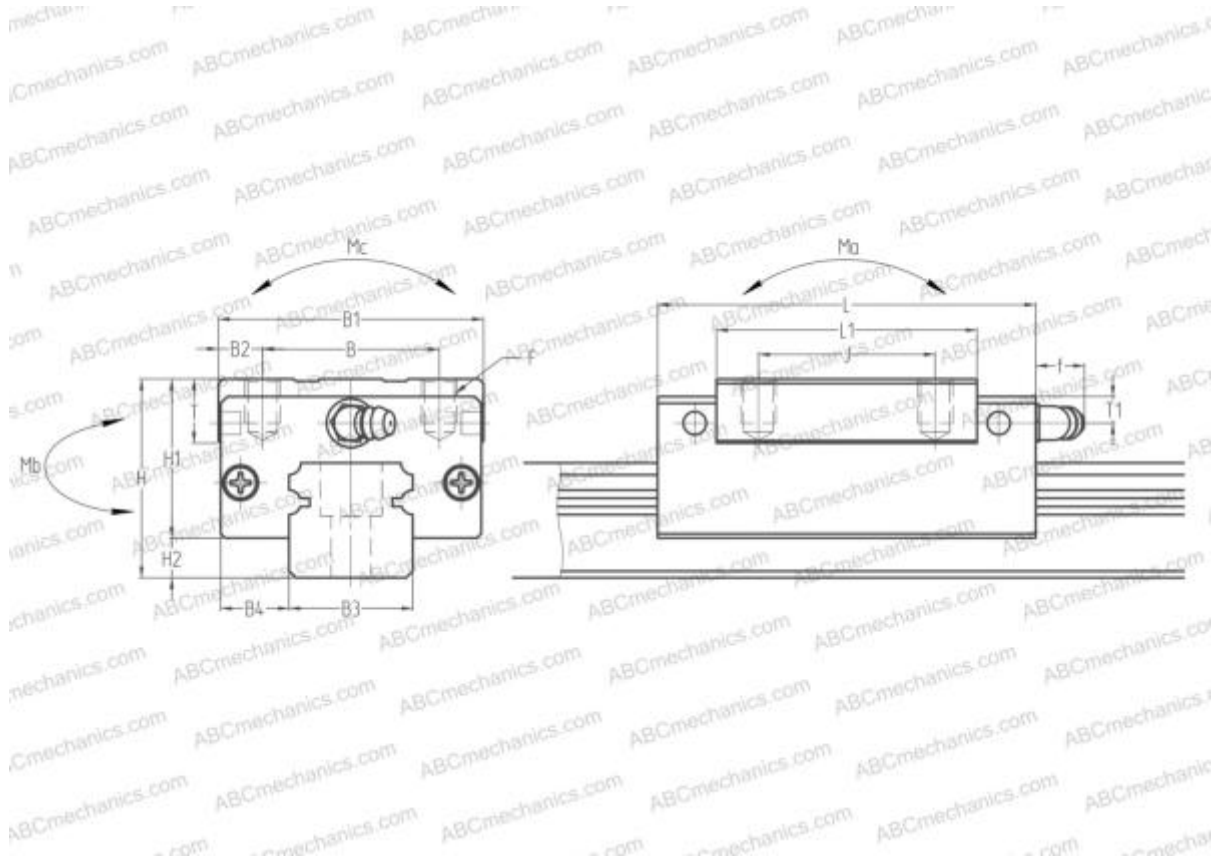


SAH35AN NSK

Linear guides

TYPE: Monorail guidance systems, Recirculating balls, High vertical load carrying capacity type, Self-aligning type, Square type, High, Ball slide length - standard, Mounting tap, Low noise, smooth operation type, Interchangeable part



Technical specification

DIMENSIONS, MM

B1	70,000
H	55,000
L	109,000
B	50,000
J	50,000
L1	80,000
D2	17,000
B2	10,000
B3	34,000
B4	18,000
H1	45,500
H2	9,500
T	15,000
T1	15,000
f	11,000

DIMENSIONS, MM

F	M8x1.25x12
---	------------

SLIDE WEIGHT

1,500

MANUFACTURER

[NSK](#)

CALCULATION DATA

Basic dynamic load rating, C	47,500 kN
Basic static load rating, Co	80,500 kN
Static permissible moment, Ma	0,780 kN-m
Static permissible moment, Mb	0,655 kN-m
Static permissible moment, Mc	0,950 kN-m