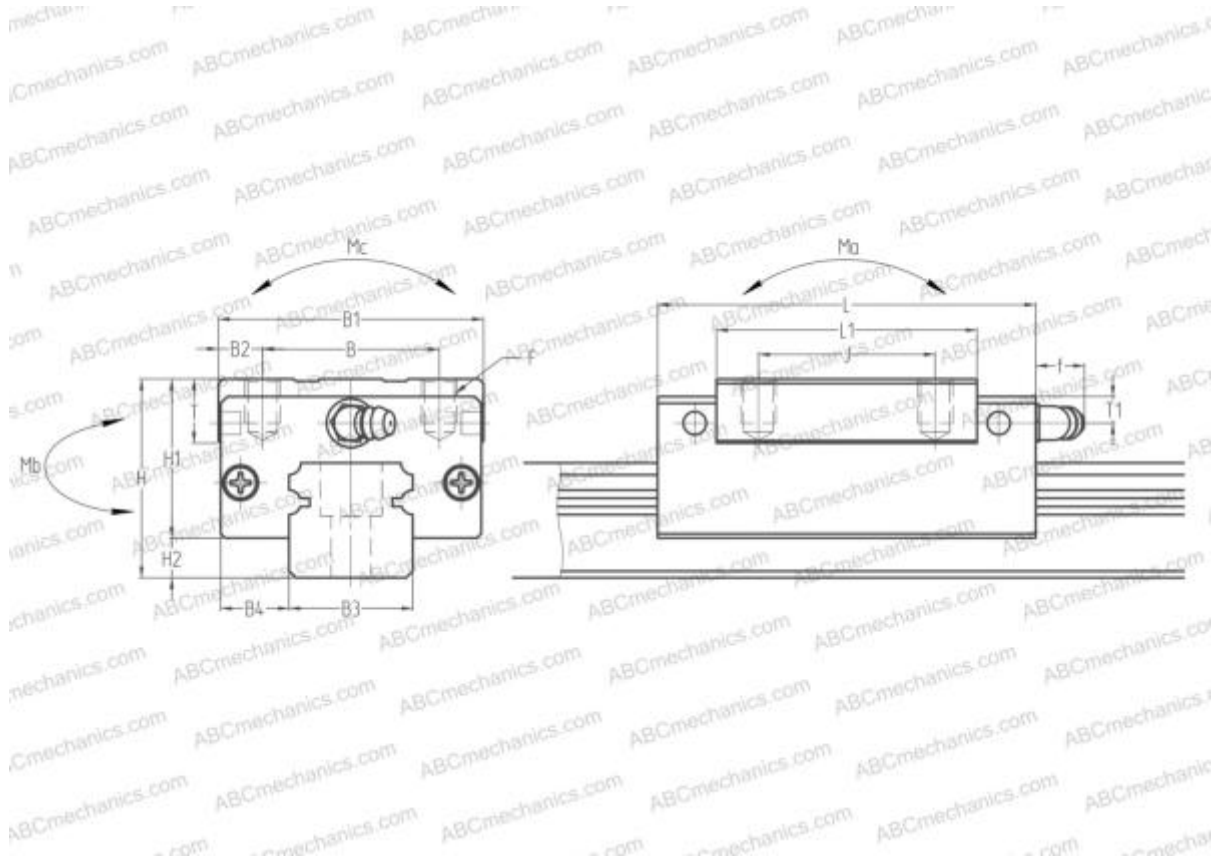


## SAH45AN NSK

Linear guides

TYPE: Monorail guidance systems, Recirculating balls, High vertical load carrying capacity type, Self-aligning type, Square type, High, Ball slide length - standard, Mounting tap, Low noise, smooth operation type, Interchangeable part



### Technical specification

#### DIMENSIONS, MM

B1	86,000
H	70,000
L	139,000
B	60,000
J	60,000
L1	105,000
D2	22,500
B2	13,000
B3	45,000
B4	20,500
H1	56,000
H2	14,000
T	17,000
T1	20,000
f	13,000

#### DIMENSIONS, MM

F	M10x1.5x17
---	------------

#### SLIDE WEIGHT

3,000

#### MANUFACTURER

[NSK](#)

#### CALCULATION DATA

Basic dynamic load rating, C	76,500 kN
Basic static load rating, Co	128,000 kN
Static permissible moment, Ma	1,550 kN-m
Static permissible moment, Mb	1,300 kN-m
Static permissible moment, Mc	1,970 kN-m