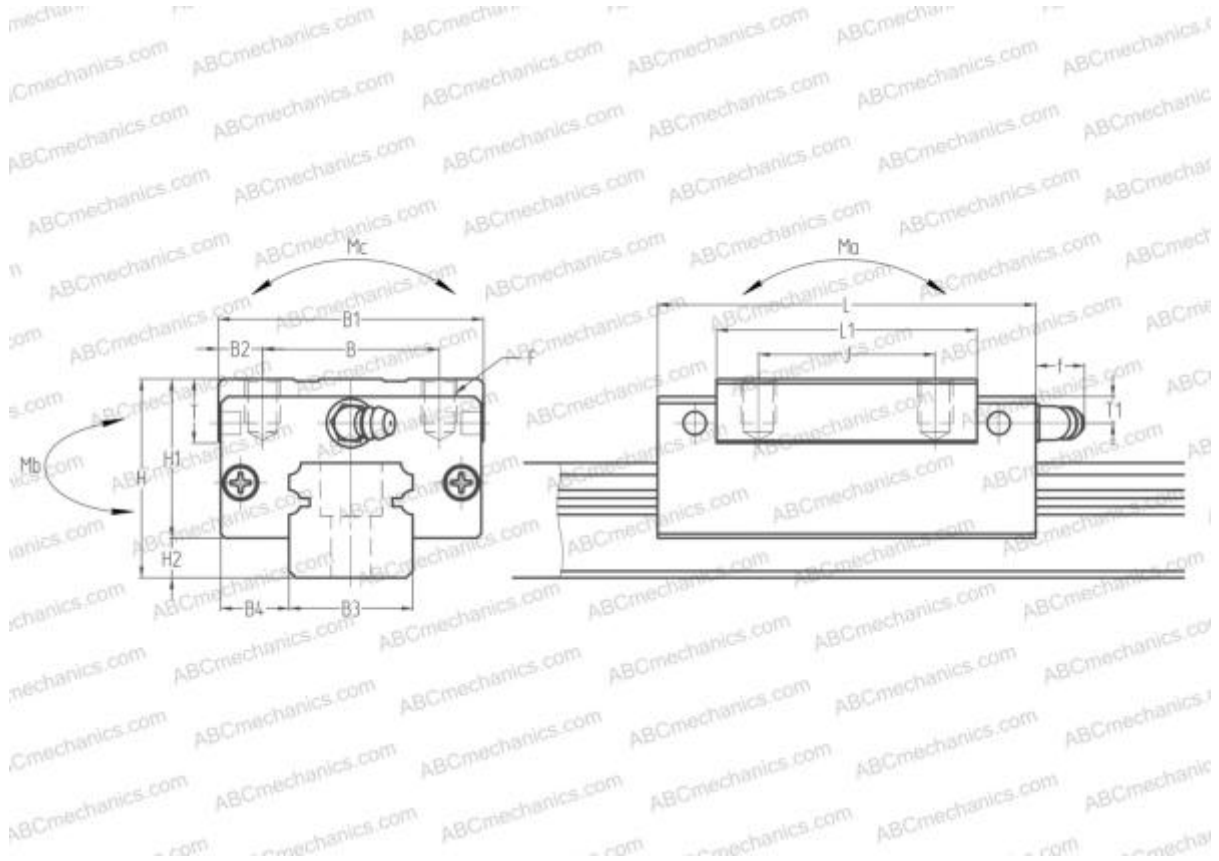


## SAH55AN NSK

Linear guides

TYPE: Monorail guidance systems, Recirculating balls, High vertical load carrying capacity type, Self-aligning type, Square type, High, Ball slide length - standard, Mounting tap, Low noise, smooth operation type, Interchangeable part



### Technical specification

#### DIMENSIONS, MM

B1	100,000
H	80,000
L	163,000
B	75,000
J	75,000
L1	126,000
D2	26,500
B2	12,500
B3	53,000
B4	23,500
H1	65,000
H2	15,000
T	18,000
T1	21,000
f	13,000

#### DIMENSIONS, MM

F	M12x1.75x18
---	-------------

#### SLIDE WEIGHT

4,700

#### MANUFACTURER

[NSK](#)

#### CALCULATION DATA

Basic dynamic load rating, C	113,000 kN
Basic static load rating, Co	181,000 kN
Static permissible moment, Ma	2,640 kN-m
Static permissible moment, Mb	2,210 kN-m
Static permissible moment, Mc	3,300 kN-m