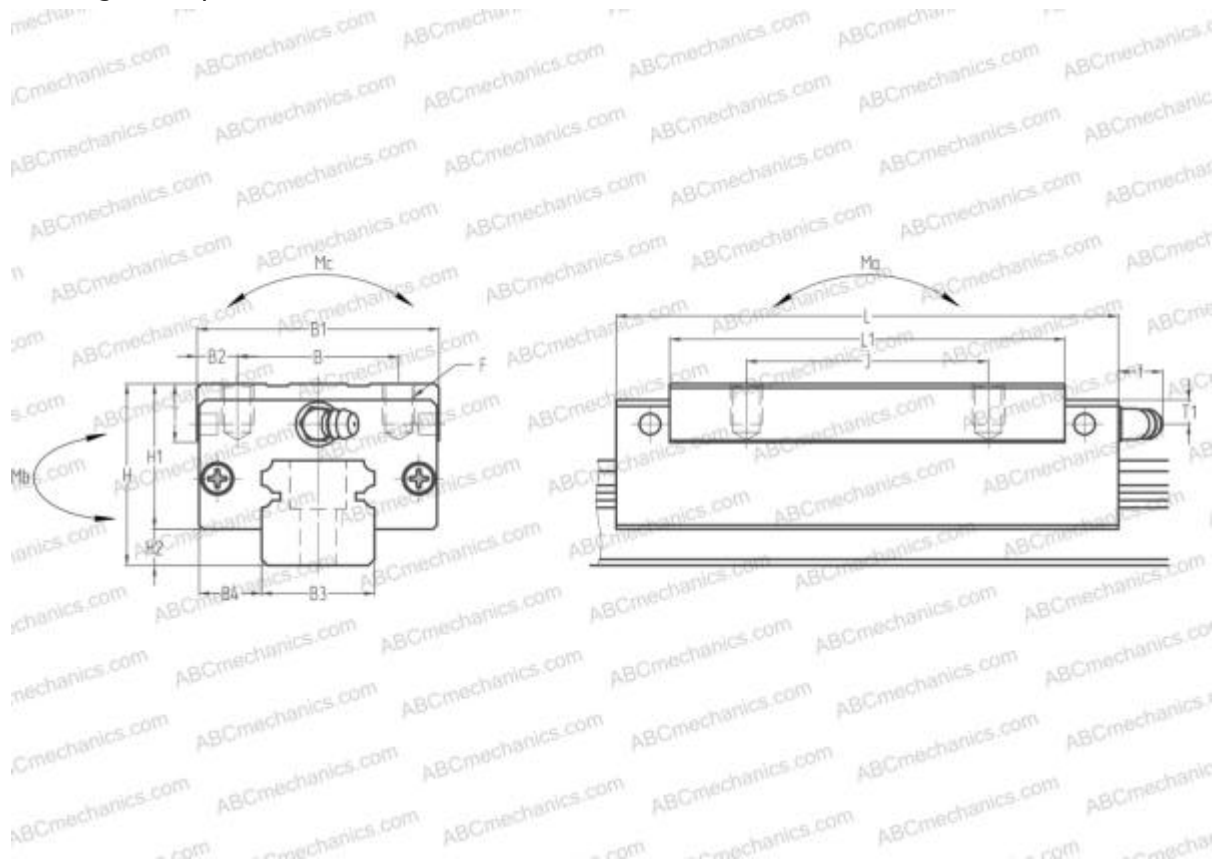


## SH20BN NSK

Linear guides

TYPE: Monorail guidance systems, Recirculating balls, High vertical load carrying capacity type, Self-aligning type, Square type, High, Ball slide length - long, Mounting tap, Low noise, smooth operation type, Interchangeable part



### Technical specification

**DIMENSIONS, MM**

B1	44,000
H	30,000
L	91,800
B	32,000
J	50,000
L1	72,000
D2	10,000
B2	6,000
B3	20,000
B4	12,000
H1	25,000
H2	5,000
T	12,000
T1	5,000
f	11,000

**CALCULATION DATA**

Basic static load rating, $C_0$	44,500 kN
Static permissible moment, $M_a$	0,360 kN-m
Static permissible moment, $M_b$	0,305 kN-m
Static permissible moment, $M_c$	0,298 kN-m

**INCLUDED PRODUCTS**

SAH20BN

**DIMENSIONS, MM**

C	60,000
d1	6,000
d2	9,500
h	18,000
h1	8,500
L max	3960,000
aL	20,000
aR	20,000
F	M5x0.8x6

**WEIGHT**

Slide weight	0,480
Rail weight	2,600

**MANUFACTURER**[NSK](#)**CALCULATION DATA**

Basic dynamic load rating, C	21,600 kN
------------------------------	-----------