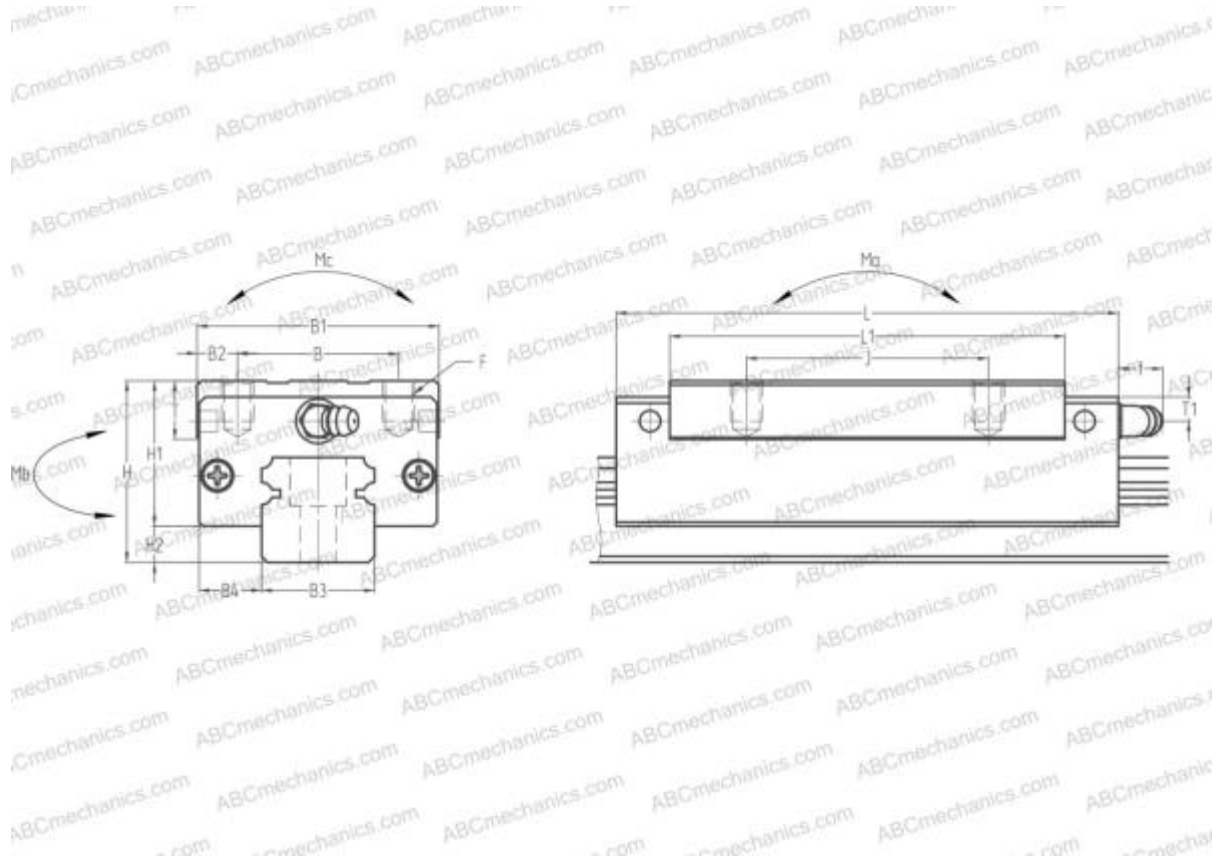


SH30BN NSK

Linear guides

TYPE: Monorail guidance systems, Recirculating balls, High vertical load carrying capacity type, Self-aligning type, Square type, High, Ball slide length - long, Mounting tap, Low noise, smooth operation type, Interchangeable part



Technical specification



DIMENSIONS, MM

B1	60,000
H	45,000
L	124,600
B	40,000
J	60,000
L1	98,000
D2	14,000
B2	10,000
B3	28,000
B4	16,000
H1	36,000
H2	9,000
T	14,000
T1	10,000
f	11,000

CALCULATION DATA

Basic static load rating, C_0	91,500 kN
Static permissible moment, M_a	1,060 kN-m
Static permissible moment, M_b	0,885 kN-m
Static permissible moment, M_c	0,870 kN-m

INCLUDED PRODUCTS

SAH30BN

DIMENSIONS, MM

C	80,000
d1	9,000
d2	14,000
h	26,000
h1	12,000
L max	4000,000
aL	20,000
aR	20,000
F	M8x1.25x10

WEIGHT

Slide weight	1,300
Rail weight	5,200

MANUFACTURER

[NSK](#)

CALCULATION DATA

Basic dynamic load rating, C	46,000 kN
------------------------------	-----------

