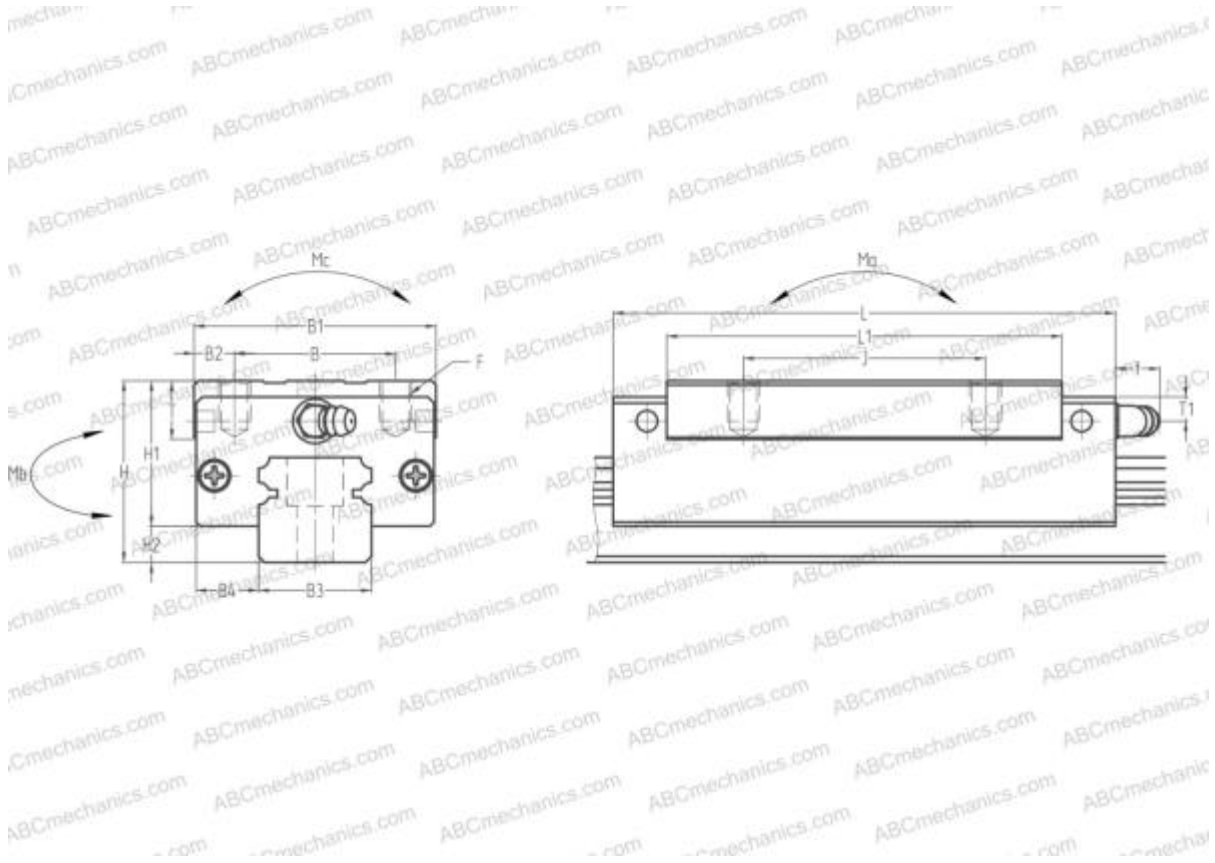


SH35BN NSK

Linear guides

TYPE: Monorail guidance systems, Recirculating balls, High vertical load carrying capacity type, Self-aligning type, Square type, High, Ball slide length - long, Mounting tap, Low noise, smooth operation type, Interchangeable part



Technical specification

DIMENSIONS, MM

B1	70,000
H	55,000
L	143,000
B	50,000
J	72,000
L1	114,000
D2	17,000
B2	10,000
B3	34,000
B4	18,000
H1	45,500
H2	9,500
T	15,000
T1	15,000
f	11,000

CALCULATION DATA

Basic static load rating, C_0	117,000 kN
Static permissible moment, M_a	1,600 kN-m
Static permissible moment, M_b	1,340 kN-m
Static permissible moment, M_c	1,380 kN-m

INCLUDED PRODUCTS

SAH35BN

DIMENSIONS, MM

C	80,000
d1	9,000
d2	14,000
h	29,000
h1	12,000
L max	4000,000
aL	20,000
aR	20,000
F	M8x1.25x12

WEIGHT

Slide weight	2,100
Rail weight	7,200

MANUFACTURER[NSK](#)**CALCULATION DATA**

Basic dynamic load rating, C	61,500 kN
------------------------------	-----------