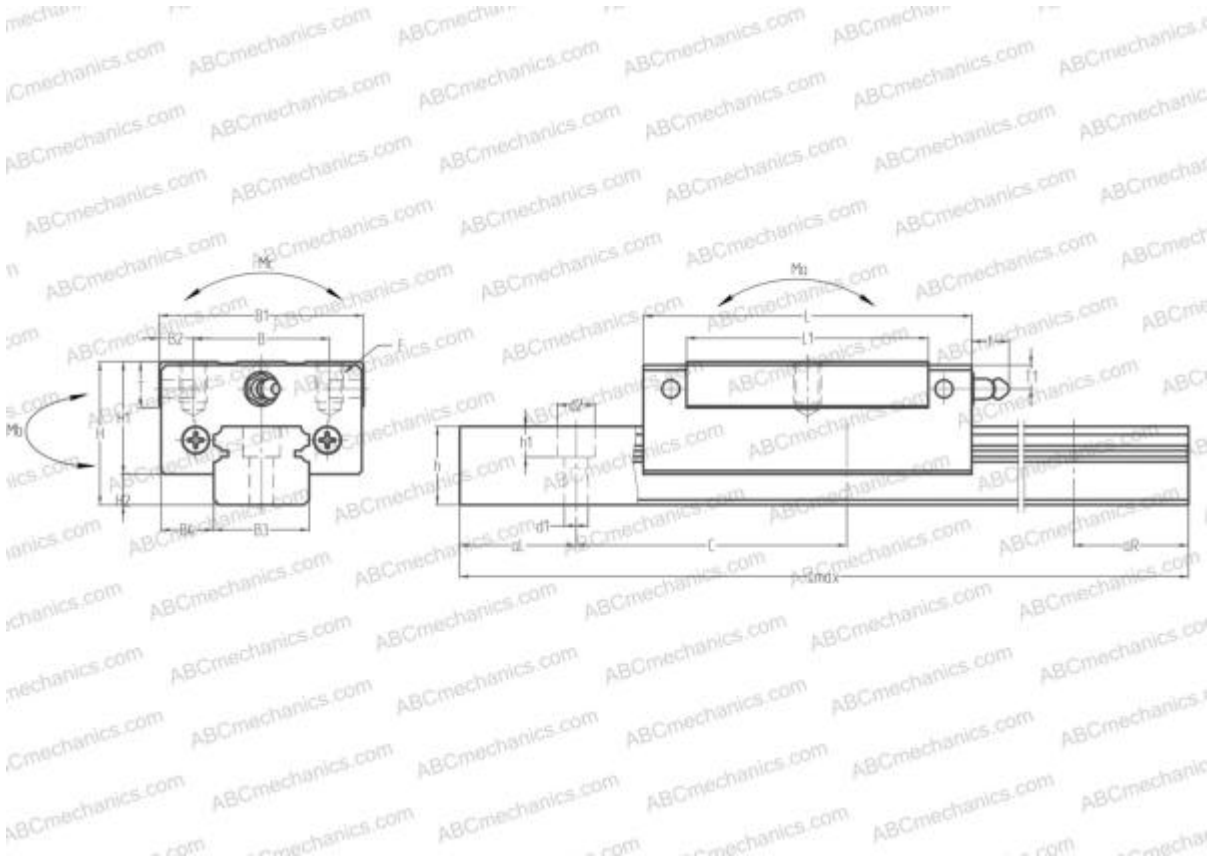


SSR15XWY THK

Linear guides

TYPE: Monorail guidance systems, Recirculating balls, High vertical load carrying capacity type, Self-aligning type, Square type, Low, Ball slide length - standard, Mounting tap, Low noise, smooth operation type



Technical specification



DIMENSIONS, MM

B1	34,000
H	24,000
L	56,800
B	26,000
J	26,000
L1	40,000
D2	7,500
B2	4,000
B3	15,000
B4	9,500
H1	19,400
H2	4,600
T	10,000
T1	6,000
f	3,000

INTERCHANGE

NSK	SS15AL
IKO	LWES15..Q
STAR	1622-1

DIMENSIONS, MM

C	60,000
d1	3,500
d2	6,000
h	12,500
h1	4,500
L max	2000,000
aL	20,000
aR	20,000
F	M4x0.7x6

WEIGHT

Slide weight	0,200
Rail weight	1,400

MANUFACTURER

[THK](#)

INTERCHANGE

ABC	SS15AL
-----	------------------------

