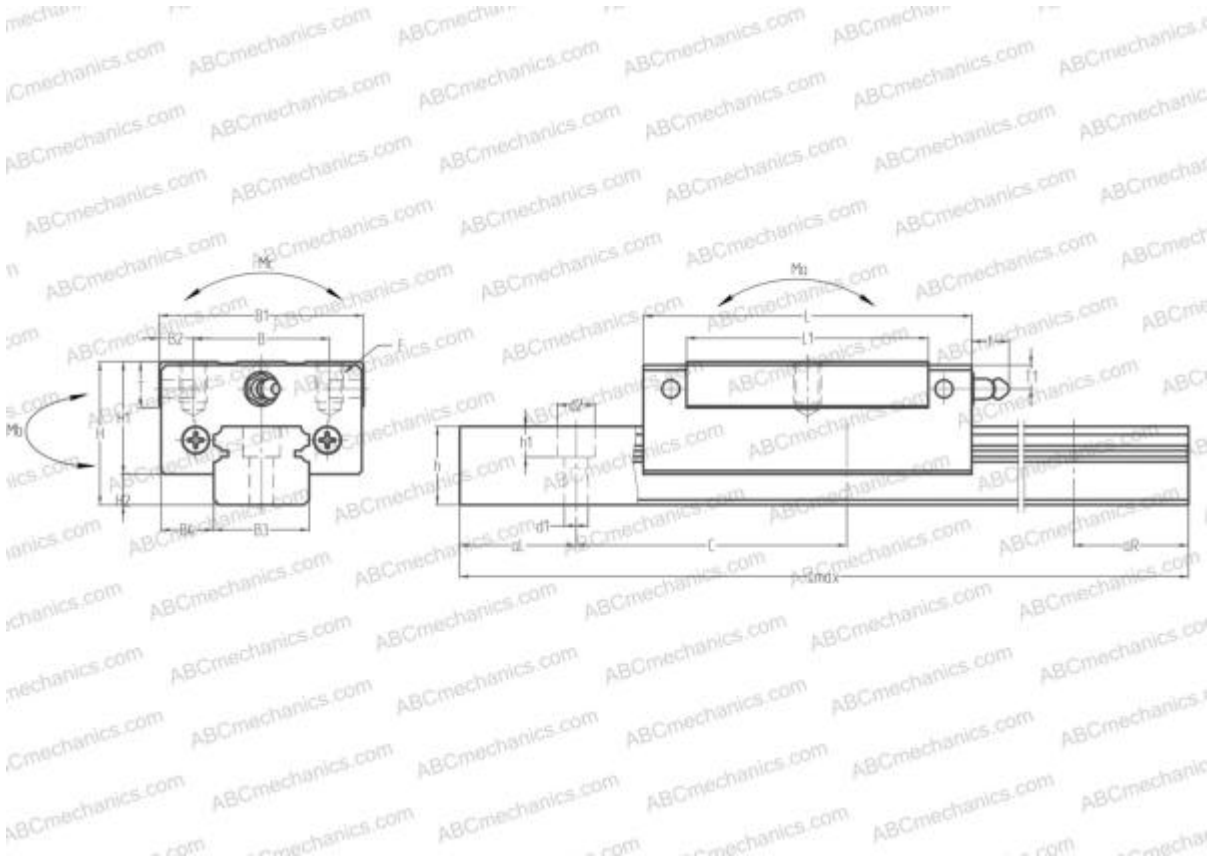


SS25AL ABC

Linear guides

TYPE: Monorail guidance systems, Recirculating balls, High vertical load carrying capacity type, Self-aligning type, Square type, Low, Ball slide length - standard, Mounting tap, Low noise, smooth operation type



Technical specification



DIMENSIONS, MM

B1	48,000
H	33,000
L	81,600
B	35,000
J	35,000
L1	60,000
D2	11,500
B2	6,500
B3	23,000
B4	12,500
H1	26,000
H2	7,000
T	12,000
T1	7,000
f	11,000

INTERCHANGE

THK	SSR25XWY
IKO	LWES25..Q

DIMENSIONS, MM

C	60,000
d1	7,000
d2	11,000
h	18,000
h1	9,000
L max	3960,000
aL	20,000
aR	20,000
F	M6x1x9

WEIGHT

Slide weight	0,510
Rail weight	3,100

MANUFACTURER

[ABC](#)

INTERCHANGE

NSK	SS25AL
-----	------------------------

