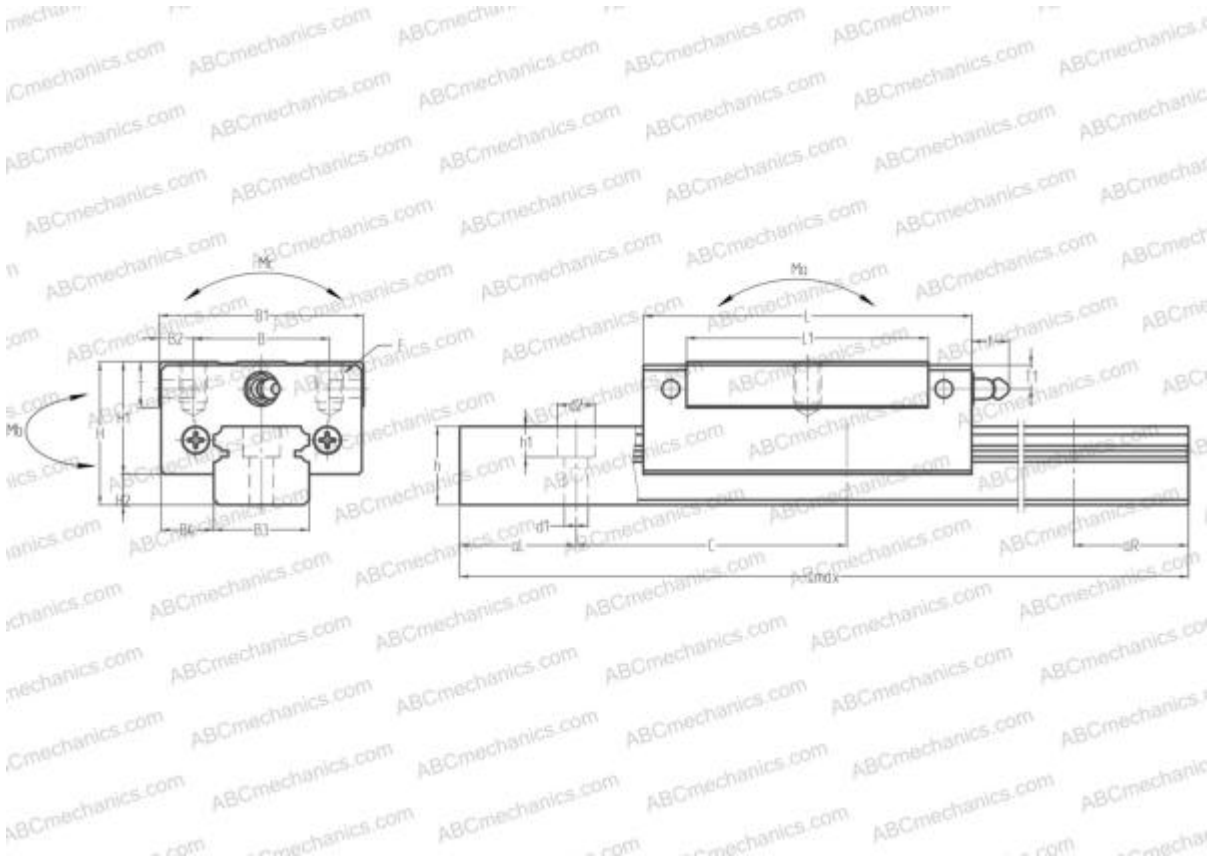


## SS30AL ABC

Linear guides

TYPE: Monorail guidance systems, Recirculating balls, High vertical load carrying capacity type, Self-aligning type, Square type, Low, Ball slide length - standard, Mounting tap, Low noise, smooth operation type



### Technical specification



## DIMENSIONS, MM

B1	60,000
H	42,000
L	96,400
B	40,000
J	40,000
L1	71,000
D2	14,000
B2	10,000
B3	28,000
B4	16,000
H1	33,000
H2	9,000
T	13,000
T1	8,000
f	11,000

## INTERCHANGE

THK	<a href="#">SSR30XW</a>
IKO	<a href="#">LWES30..Q</a>

## DIMENSIONS, MM

C	80,000
d1	7,000
d2	11,000
h	23,000
h1	9,000
L max	4000,000
aL	20,000
aR	20,000
F	M8x1.25x12

## WEIGHT

Slide weight	0,850
Rail weight	4,800

## MANUFACTURER

[ABC](#)

## INTERCHANGE

NSK	<a href="#">SS30AL</a>
-----	------------------------

