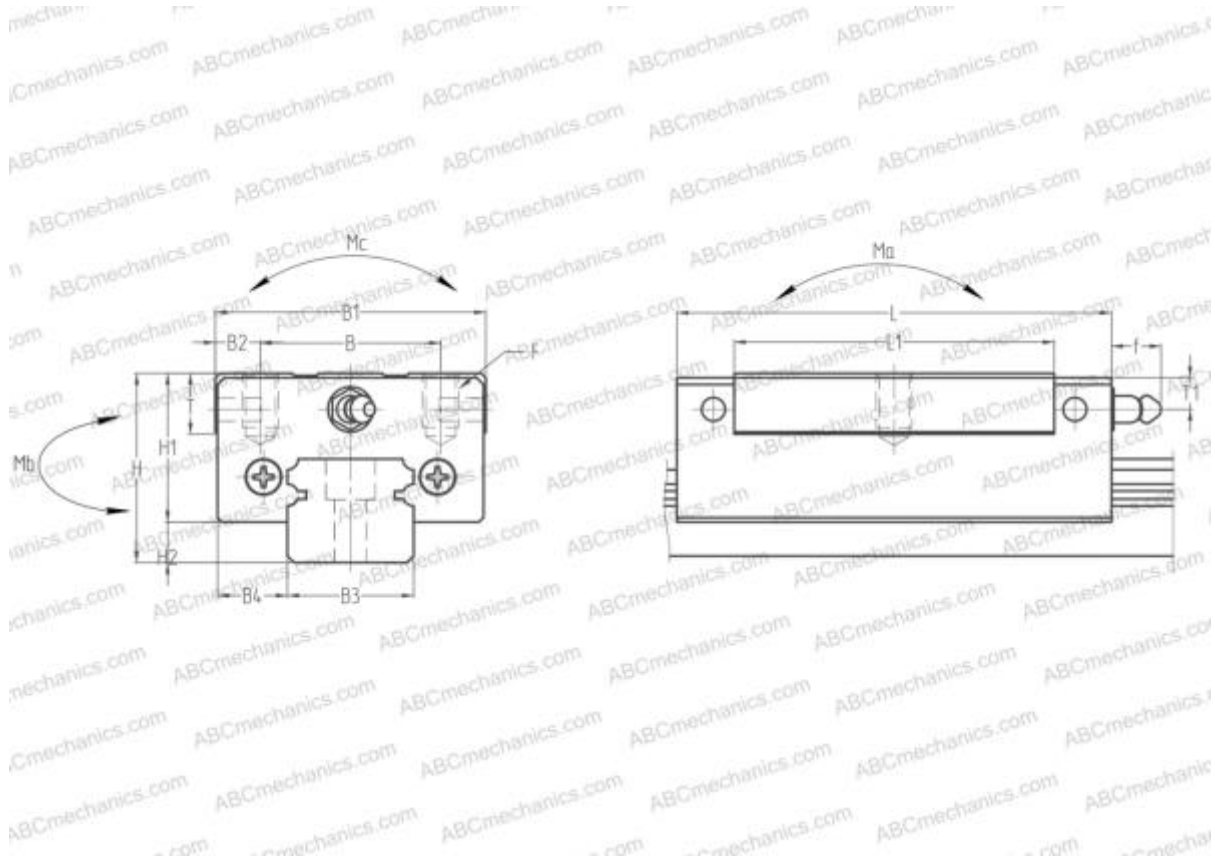


SAS35AL NSK

Linear guides

TYPE: Monorail guidance systems, Recirculating balls, High vertical load carrying capacity type, Self-aligning type, Square type, Low, Ball slide length - standard, Mounting tap, Low noise, smooth operation type, Interchangeable part



Technical specification

DIMENSIONS, MM

B1	70,000
H	48,000
L	108,000
B	50,000
J	50,000
L1	80,000
D2	17,000
B2	10,000
B3	34,000
B4	18,000
H1	37,500
H2	10,500
T	14,000
T1	8,500
f	11,000

DIMENSIONS, MM

F	M8x1.25x12
---	------------

SLIDE WEIGHT

1,300

MANUFACTURER

[NSK](#)

CALCULATION DATA

Basic dynamic load rating, C	38,000 kN
Basic static load rating, Co	68,500 kN
Static permissible moment, Ma	0,620 kN-m
Static permissible moment, Mb	0,520 kN-m
Static permissible moment, Mc	0,800 kN-m