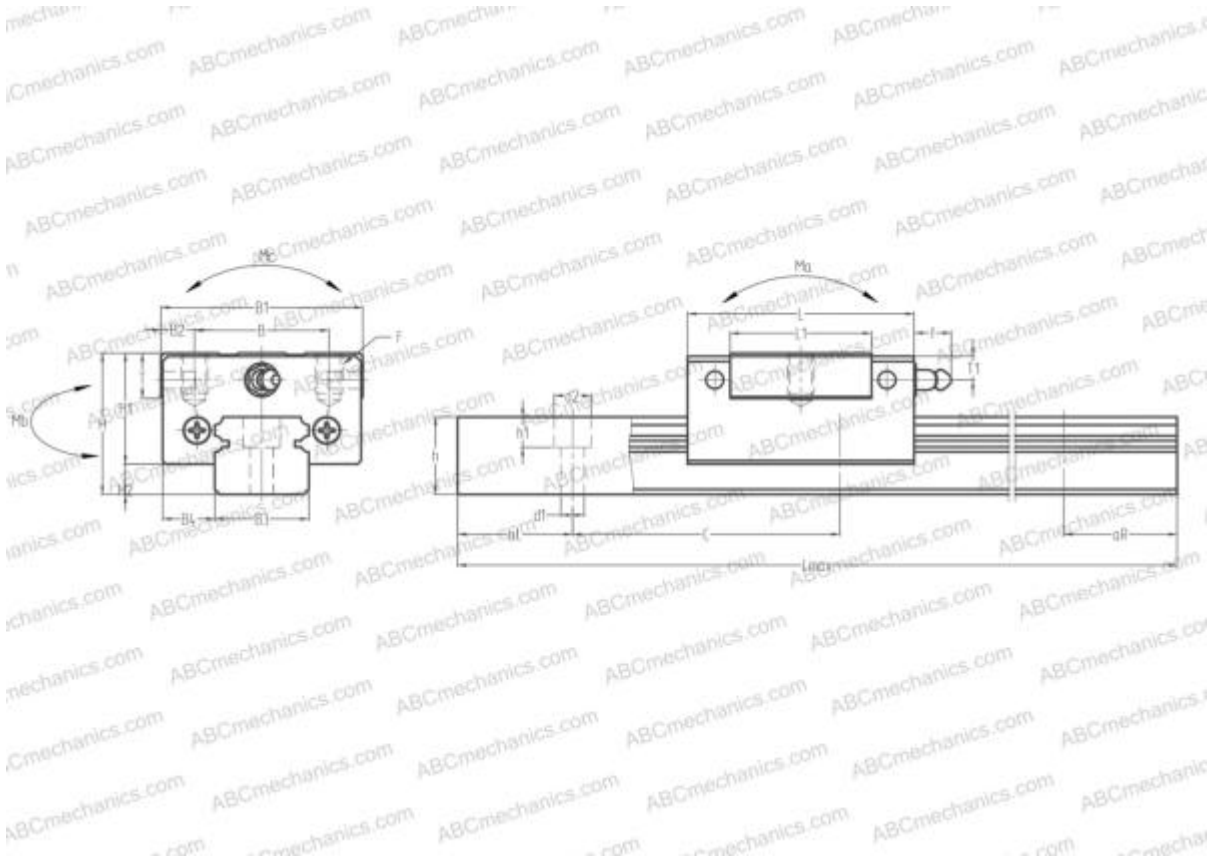


## SS20CL ABC

Linear guides

TYPE: Monorail guidance systems, Recirculating balls, High vertical load carrying capacity type, Self-aligning type, Square type, Low, Ball slide length - short, Mounting tap, Low noise, smooth operation type



### Technical specification



## DIMENSIONS, MM

B1	42,000
H	28,000
L	47,200
B	32,000
L1	30,000
D2	10,000
B2	5,000
B3	20,000
B4	11,000
H1	22,000
H2	6,000
T	12,000
T1	5,500
f	11,000
C	60,000

## DIMENSIONS, MM

d1	6,000
d2	9,500
h	15,500
h1	8,500
L max	3960,000
aL	20,000
aR	20,000
F	M5x0.8x7

## WEIGHT

Slide weight	0,190
Rail weight	2,300

## MANUFACTURER

[ABC](#)

## INTERCHANGE

NSK	<a href="#">SS20CL</a>
THK	<a href="#">SSR20XV</a>

