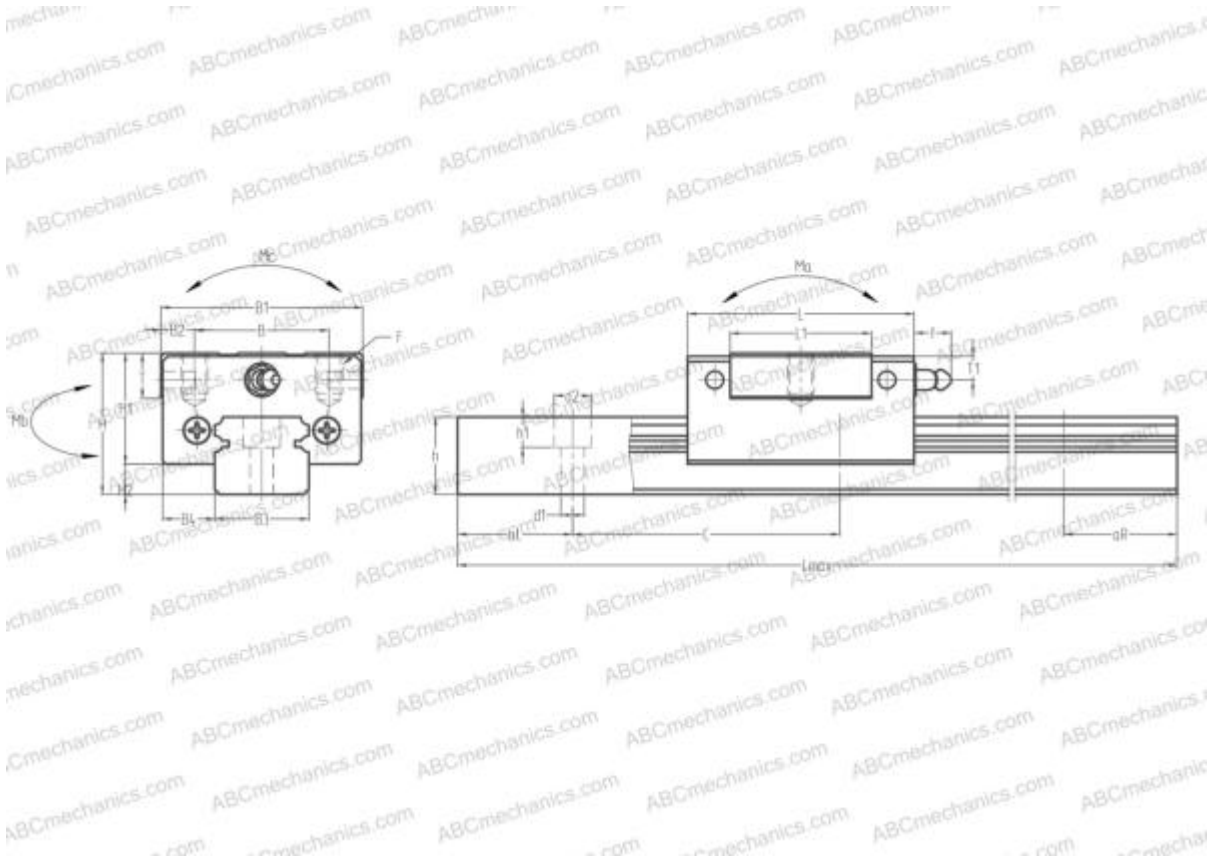


SS35CL NSK

Linear guides

TYPE: Monorail guidance systems, Recirculating balls, High vertical load carrying capacity type, Self-aligning type, Square type, Low, Ball slide length - short, Mounting tap, Low noise, smooth operation type



Technical specification

DIMENSIONS, MM

B1	70,000
H	48,000
L	77,000
B	50,000
L1	49,000
D2	17,000
B2	10,000
B3	34,000
B4	18,000
H1	37,500
H2	10,500
T	14,000
T1	8,500
f	11,000
C	80,000

DIMENSIONS, MM

d1	9,000
d2	14,000
h	27,500
h1	12,000
L max	4000,000
aL	20,000
aR	20,000
F	M8x1.25x12

WEIGHT

Slide weight	0,860
Rail weight	7,000

MANUFACTURER

[NSK](#)

INTERCHANGE

ABC	SS35CL
-----	------------------------

CALCULATION DATA

Basic dynamic load rating, C	26,000 kN
Basic static load rating, Co	40,000 kN
Static permissible moment, Ma	0,234 kN-m
Static permissible moment, Mb	0,196 kN-m
Static permissible moment, Mc	0,465 kN-m

INCLUDED PRODUCTS

SAS35CL