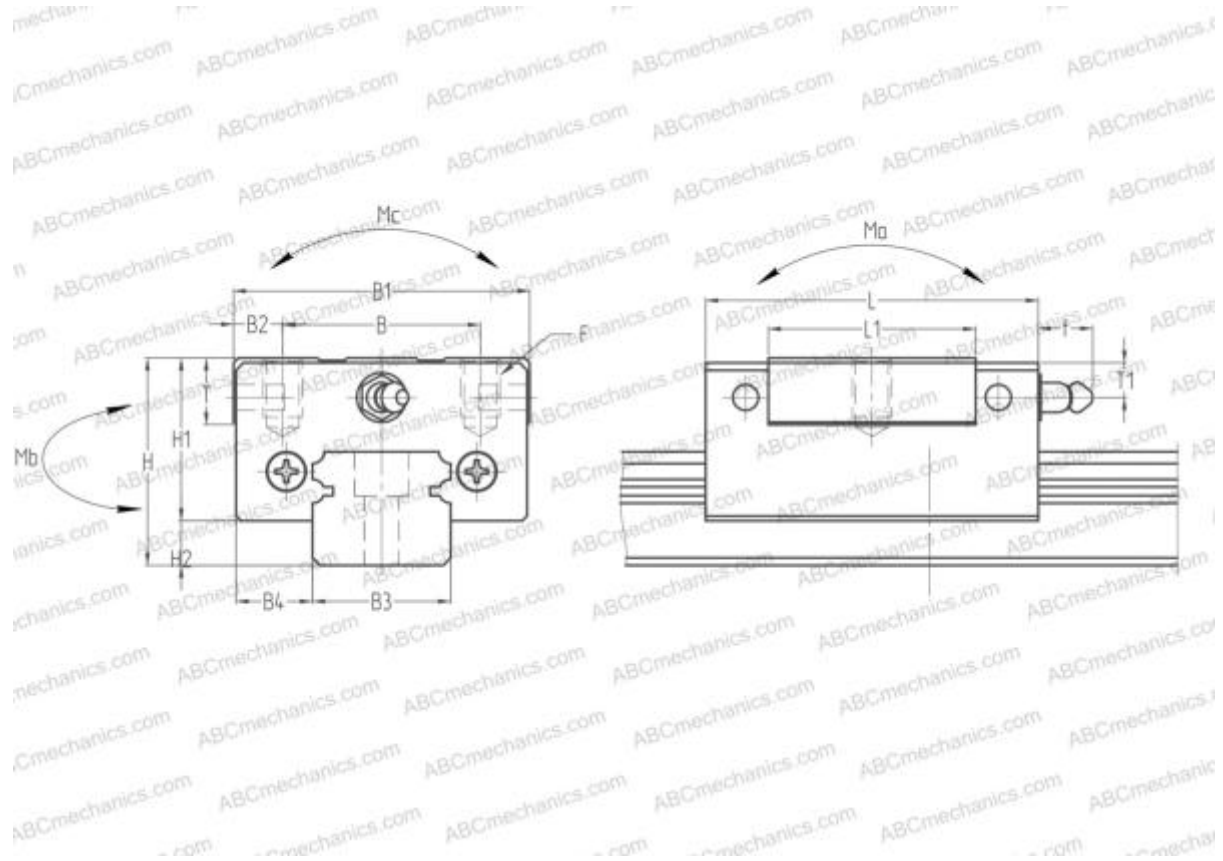


SAS25CL NSK

Linear guides

TYPE: Monorail guidance systems, Recirculating balls, High vertical load carrying capacity type, Self-aligning type, Square type, Low, Ball slide length - short, Mounting tap, Low noise, smooth operation type, Interchangeable part



Technical specification

DIMENSIONS, MM

B1	48,000
H	33,000
L	59,600
B	35,000
L1	38,000
D2	11,500
B2	6,500
B3	23,000
B4	12,500
H1	26,000
H2	7,000
T	12,000
T1	7,000
f	11,000
F	M6x1x9

SLIDE WEIGHT

0,340

MANUFACTURER

[NSK](#)

CALCULATION DATA

Basic dynamic load rating, C	12,700 kN
Basic static load rating, Co	20,800 kN
Static permissible moment, Ma	0,097 kN-m
Static permissible moment, Mb	0,081 kN-m
Static permissible moment, Mc	0,164 kN-m