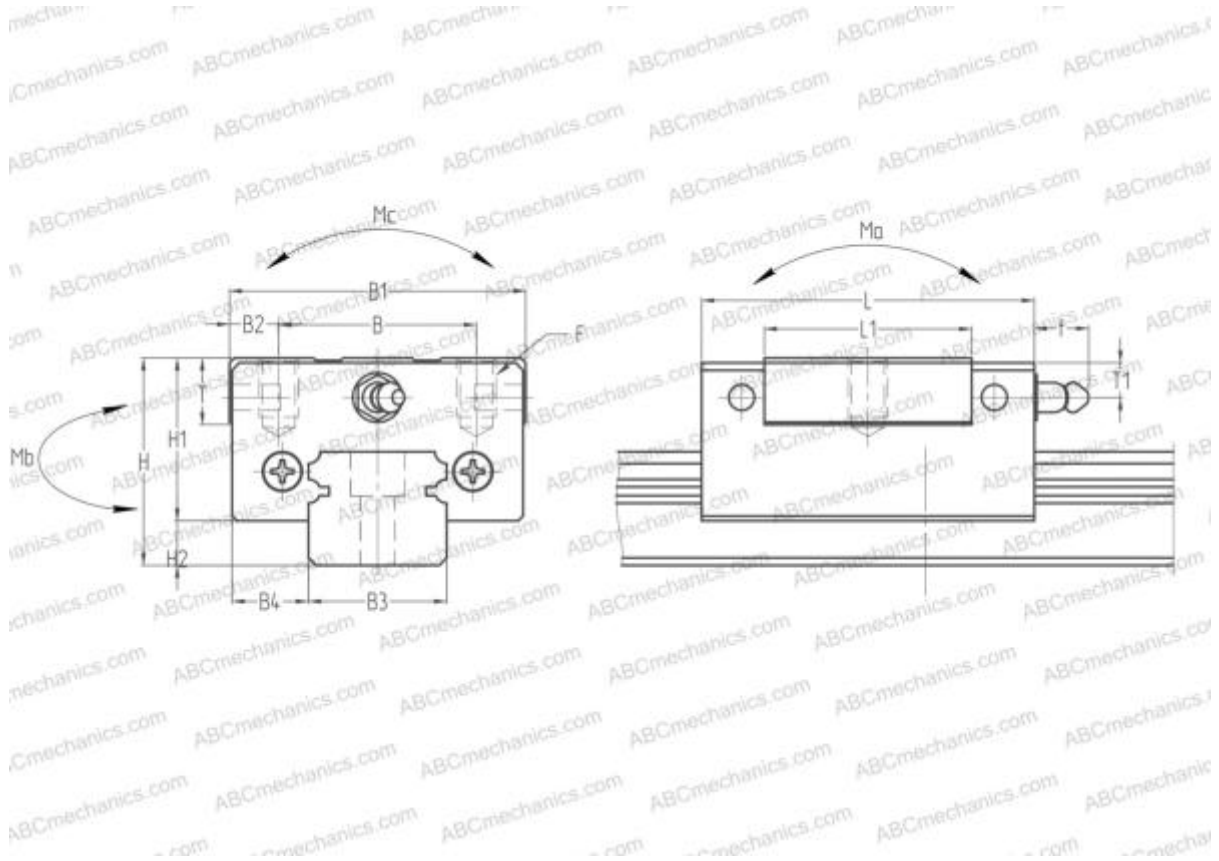


SAS35CL NSK

Linear guides

TYPE: Monorail guidance systems, Recirculating balls, High vertical load carrying capacity type, Self-aligning type, Square type, Low, Ball slide length - short, Mounting tap, Low noise, smooth operation type, Interchangeable part



Technical specification

DIMENSIONS, MM

B1	70,000
H	48,000
L	77,000
B	50,000
L1	49,000
D2	17,000
B2	10,000
B3	34,000
B4	18,000
H1	37,500
H2	10,500
T	14,000
T1	8,500
f	11,000
F	M8x1.25x12

SLIDE WEIGHT

0,860

MANUFACTURER

[NSK](#)

CALCULATION DATA

Basic dynamic load rating, C	26,000 kN
Basic static load rating, Co	40,000 kN
Static permissible moment, Ma	0,234 kN-m
Static permissible moment, Mb	0,196 kN-m
Static permissible moment, Mc	0,465 kN-m