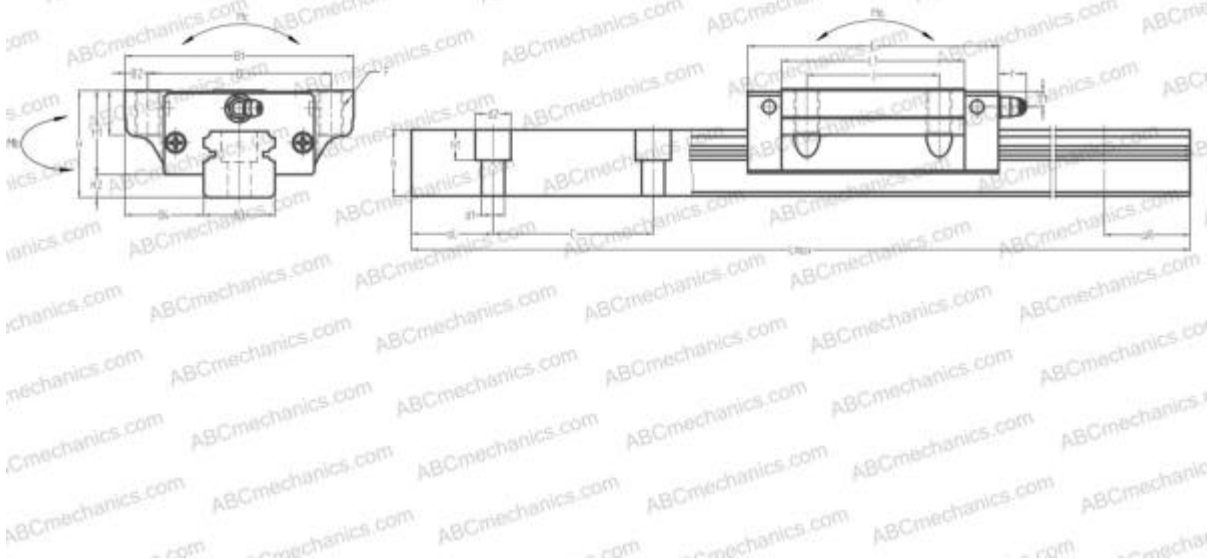


## 1651-1 STAR

Linear guides

TYPE: Monorail guidance systems, Recirculating balls, High vertical load carrying capacity type, Self-aligning type, Flanged type, Low, Ball slide length - standard, Mounting tap



### Technical specification

#### DIMENSIONS, MM

B1	47,000
H	24,000
L	55,000
B	38,000
J	30,000
L1	39,000
B3	15,000
B4	16,000
H1	19,400
H2	4,600
T	8,000
T1	4,500
f	3,300
C	60,000
d1	4,500

#### DIMENSIONS, MM

d2	7,500
h	15,000
h1	5,300
L max	2000,000
aL	20,000
aR	20,000
F	M5x0.8x8

#### WEIGHT

Slide weight	0,170
Rail weight	1,600

#### MANUFACTURER

[STAR](#)

#### INTERCHANGE

ABC	<a href="#">LH15EL</a>
NSK	<a href="#">LH15EL</a>
THK	<a href="#">HSR15A</a>

**INTERCHANGE**

IKO	<a href="#">LWHT15..B</a>
HIWIN	<a href="#">HGW15CA</a>
Rockford Linear Motion	<a href="#">RPG15HA</a>
INA	<a href="#">KUV15-B</a>
NB	<a href="#">SGL15HTE</a>
SCHNEEBERGER	<a href="#">BMA 15</a>