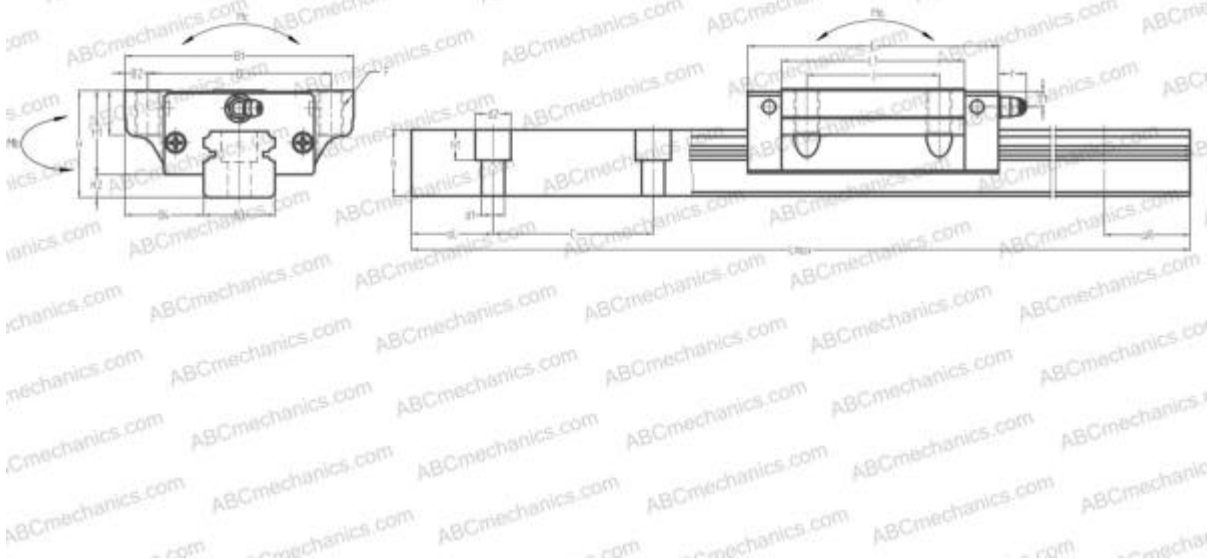


## LH20EL ABC

Linear guides

TYPE: Monorail guidance systems, Recirculating balls, High vertical load carrying capacity type, Self-aligning type, Flanged type, Low, Ball slide length - standard, Mounting tap



### Technical specification

#### DIMENSIONS, MM

B1	63,000
H	30,000
L	69,800
B	53,000
J	40,000
L1	50,000
B2	5,000
B3	20,000
B4	21,500
H1	25,000
H2	5,000
T	10,000
T1	5,000
f	11,000
C	60,000

#### DIMENSIONS, MM

d1	6,000
d2	9,500
h	18,000
h1	8,500
L max	3960,000
aL	20,000
aR	20,000
F	M6x1x10

#### WEIGHT

Slide weight	0,450
Rail weight	2,600

#### MANUFACTURER

[ABC](#)

#### INTERCHANGE

NSK	<a href="#">LH20EL</a>
THK	<a href="#">HSR20A</a>

**INTERCHANGE**

IKO	<a href="#">LWHT20..B</a>
HIWIN	<a href="#">HGW20CA</a>
STAR	<a href="#">1651-8</a>
Rockford Linear Motion	<a href="#">RPG20HA</a>
INA	<a href="#">KUVE20-B</a>
NB	<a href="#">SGL20HTE</a>
THOMSON	<a href="#">AG20AA</a>
SCHNEEBERGER	<a href="#">BMA 20</a>