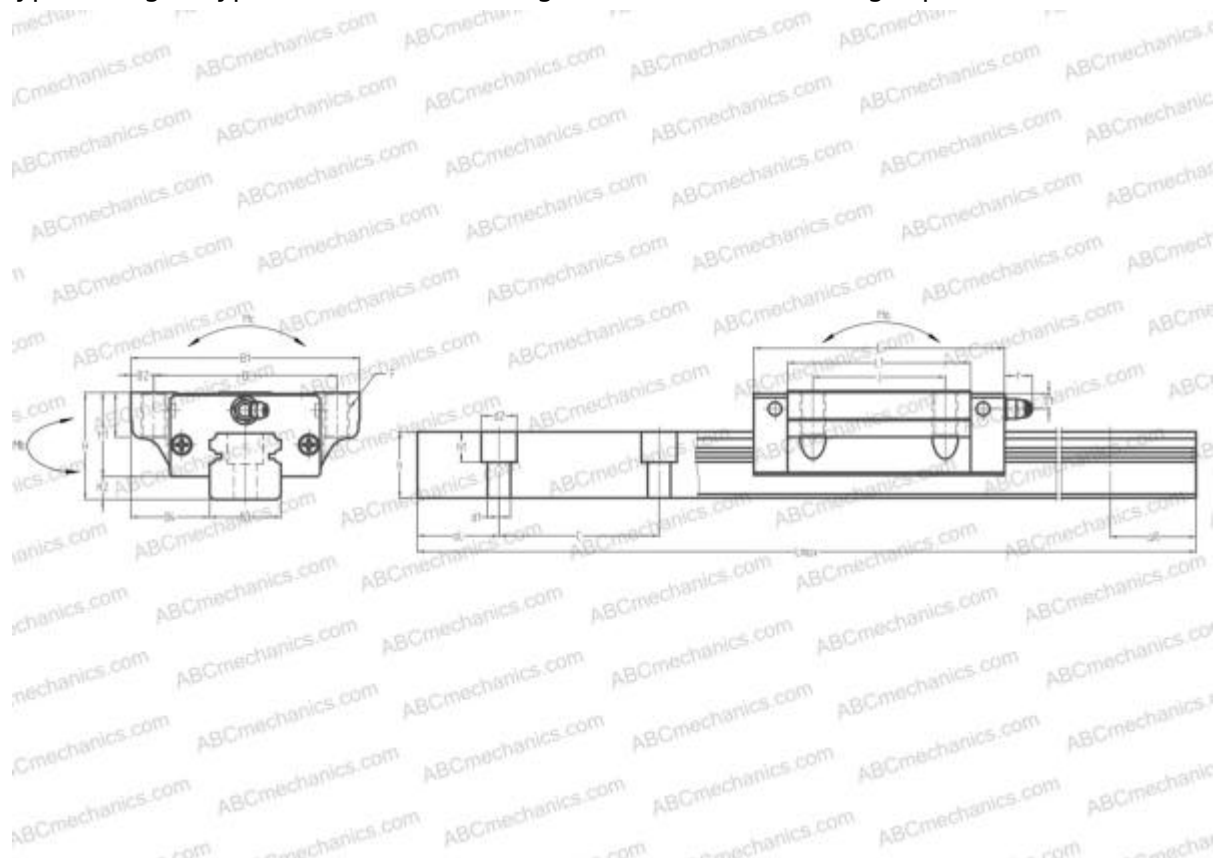


1651-8 STAR

Linear guides

TYPE: Monorail guidance systems, Recirculating balls, High vertical load carrying capacity type, Self-aligning type, Flanged type, Low, Ball slide length - standard, Mounting tap



Technical specification

DIMENSIONS, MM

B1	63,000
H	30,000
L	69,800
B	53,000
J	40,000
L1	50,000
B2	5,000
B3	20,000
B4	21,500
H1	25,000
H2	5,000
T	10,000
T1	5,000
f	11,000
C	60,000

DIMENSIONS, MM

d1	6,000
d2	9,500
h	18,000
h1	8,500
L max	3960,000
aL	20,000
aR	20,000
F	M6x1x10

WEIGHT

Slide weight	0,450
Rail weight	2,600

MANUFACTURER

[STAR](#)

INTERCHANGE

ABC	LH20EL
NSK	LH20EL

INTERCHANGE

THK	HSR20A
IKO	LWHT20..B
HIWIN	HGW20CA
Rockford Linear Motion	RPG20HA
INA	KUV20-B
NB	SGL20HTE
THOMSON	AG20AA
SCHNEEBERGER	BMA 20