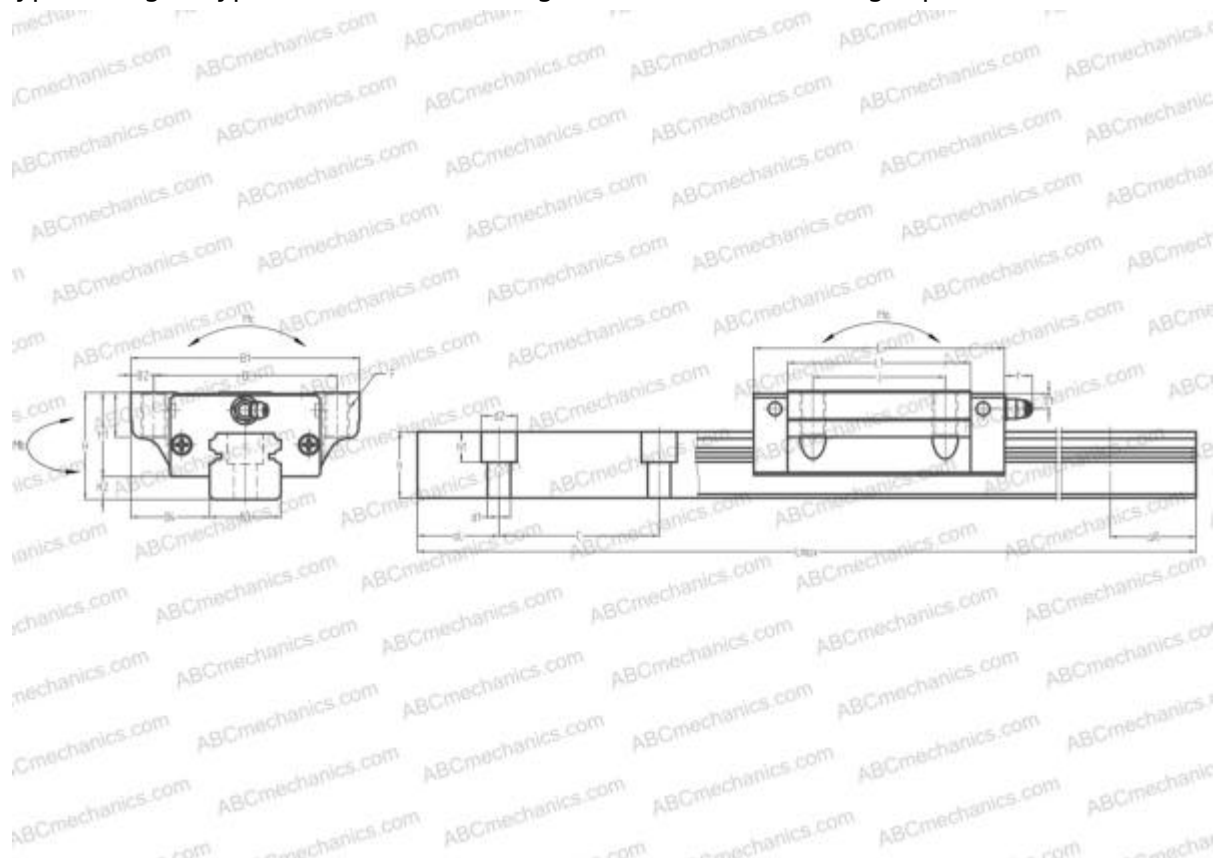


LH25EL ABC

Linear guides

TYPE: Monorail guidance systems, Recirculating balls, High vertical load carrying capacity type, Self-aligning type, Flanged type, Low, Ball slide length - standard, Mounting tap



Technical specification

DIMENSIONS, MM

B1	70,000
H	36,000
L	79,000
B	57,000
J	45,000
L1	58,000
B2	6,500
B3	23,000
B4	23,500
H1	29,000
H2	7,000
T	11,000
T1	6,000
f	11,000
C	60,000

DIMENSIONS, MM

d1	7,000
d2	11,000
h	22,000
h1	9,000
L max	3960,000
aL	20,000
aR	20,000
F	M8x1.25x16

WEIGHT

Slide weight	0,630
Rail weight	3,600

MANUFACTURER

[ABC](#)

INTERCHANGE

NSK	LH25EL
THK	HSR25A

INTERCHANGE

IKO	LWHT25..B
HIWIN	HGW25CA
STAR	1651-2
Rockford Linear Motion	RPG25HA
INA	KUVE25-B
NB	SGL25HTE
SCHNEEBERGER	BMA 25